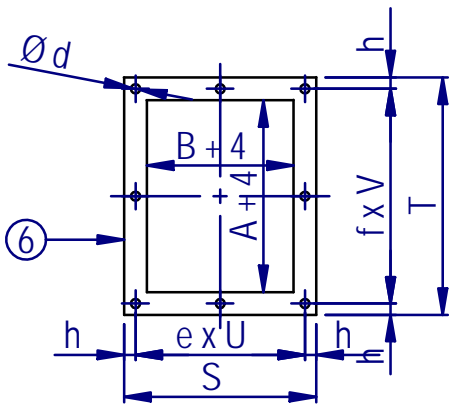
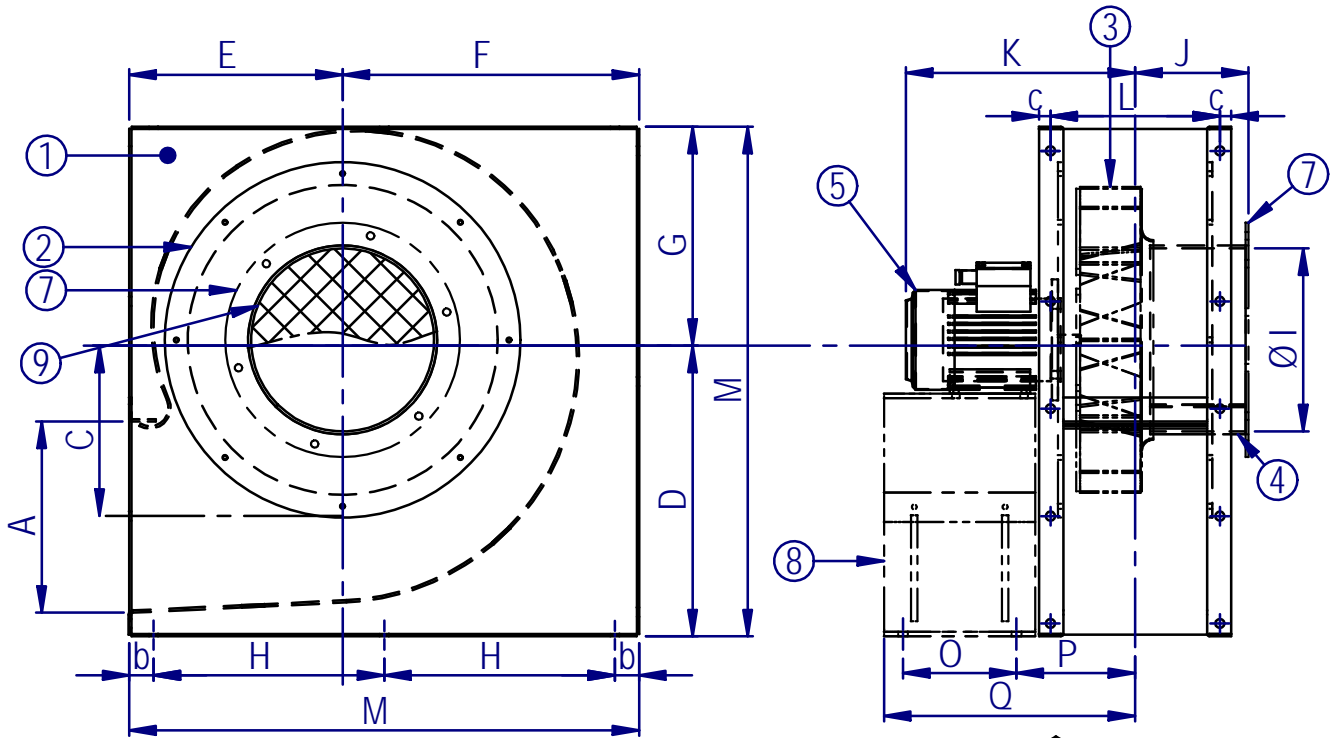




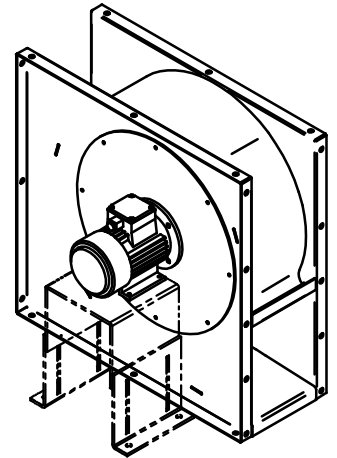
MEDIUM PRESS. CENTRIFUGAL FAN Dimension Drawing

MSV - B1



	Contra flange, Inlet	option
	Contra flange, Outlet	option
9	Wire guard, Inlet	option
8	Motor pedestall	Required for heavy motor.
7	Flange inlet	option
6	Flange outlet	
5	El. motor	
4	Conn.piece, collar in	
3	Impeller	
2	Inlet cone	
1	Fan housing	
Item	Description	Remarks

Material: Alum.5052 (Option:AISI 316L)



Fan Size Ø I	A	B	C	D	E	F	G	H	J	K	L	M	Weight [kg] excl. motor
125	130	110	140	229	180	244	195	190	80		134	424	6,5
160	156	125	170	277	227	277	227	225	100		154	504	10,5
200	188	160	204	327	272	307	252	262,5	125		189	579	12,5
250	250	190	233	392	282	392	282	305	145		224	674	17,5
315	296	253	250	433	353	413	333	350	175		289	766	23,5
	b	c	d	e	f	h	U	V	S	T	O	P	Q
125	22	10	9,5	1	1	10	134	154	154	174			
160	27	12,5	9,5	2	2	12,5	77	92,5	179	210			
200	27	12,5	9,5	2	2	12,5	94,5	108,5	214	242			
250	32	15	12	2	2	15	112	142	254	314			
315	32	15	12	2	3	15	144,5	110	319	360			

4-2243

N Y B O R G A S

4/8-05
K.Klokk

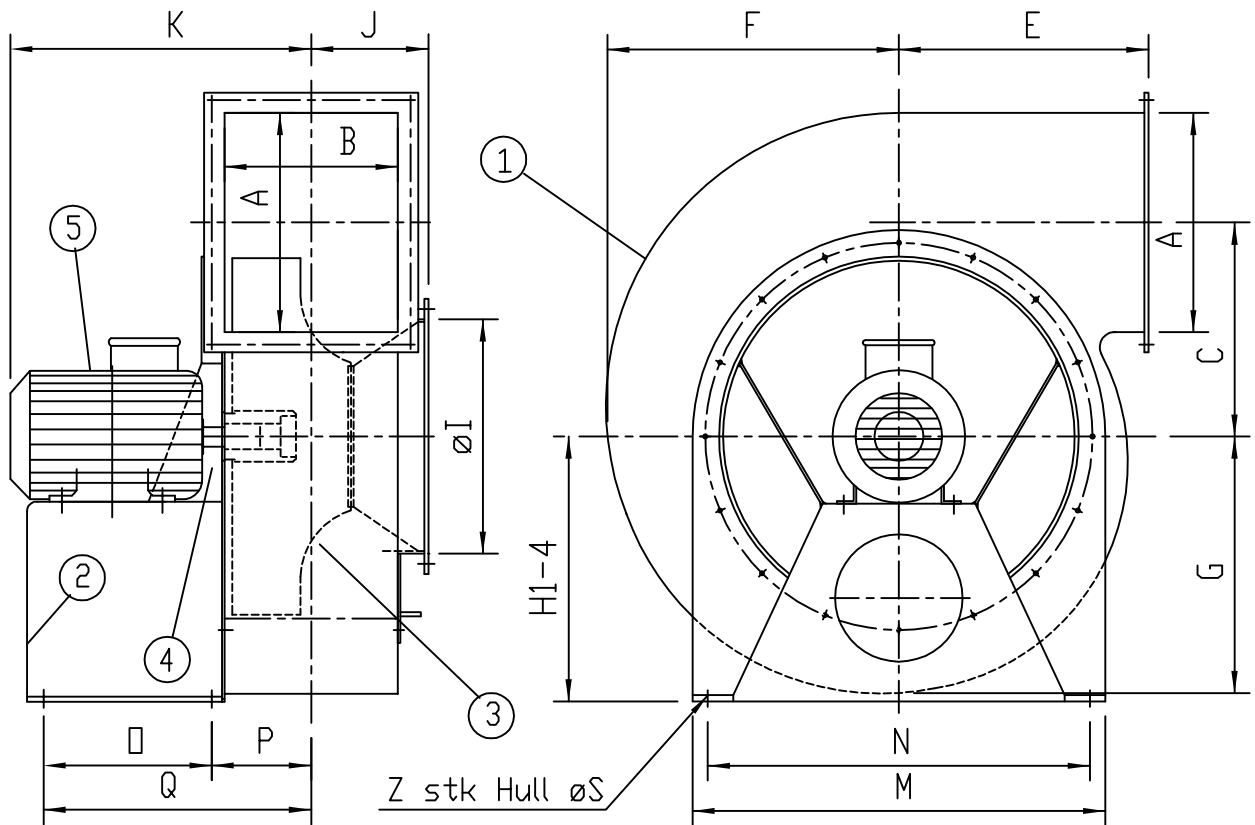
N-6230 SYKKYLVEN, NORWAY
TEL +47 70 25 40 80 - FAX +47 70 25 29 08
office@nyborgfan.com - www.nyborgfan.com

MSV - B1



MEDIUM PRESSURE CENTR. FAN
DIRECT DRIVEN DESIGN

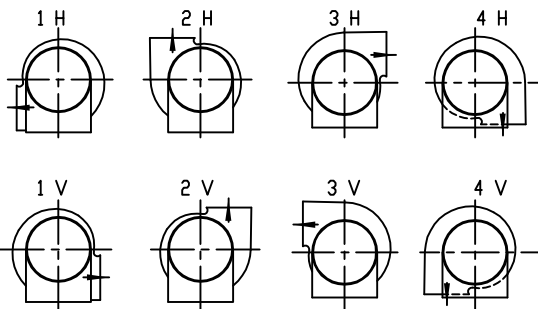
MSV-B1



SIZE no 1ø	A	B	C	E	F	G	H1	H2	H3	H4	J	K	M	N	Q	P	Q	Z	S
350	350	270	320	380	425	380	550	450	400	450	190		630	580		170		4	14
400	370	290	370	440	505	450	600	550	500	400	210		700	650		175		4	16
450	430	340	420	490	575	510	680	620	560	430	230		810	750		195		4	16
500	460	370	460	520	630	540	750	650	600	470	250		900	800		230		4	16
600	530	410	530	600	730	630	850	775	680	550	280		1000	900		250		4	22
700	690	490	630	700	860	750	1050	910	800	650	330		1200	1120		290		4	22
800	790	570	720	800	1000	870	1200	1050	900		360		1400						

MOUNTING POSITIONS

TO BE SEEN AGAINST INLET



- ① FAN HOUSING
Matl.: St. 37
- ② MOTOR PEDESTAL.
Matl.: St. 37
- ③ FAN IMPELLER, BACKWARD CURVED BLADES
Matl.: St. 37
- ④ GASTIGHT ASSEMBLY
- ⑤ EL. MOTOR
KW: Rpm: V: Hz:

06.10.00

F.Ø

4-1461

N Y B O R G A S

N-6230 SYKKYLVEN - NORWAY
Tel: +47 70 25 40 80 - Fax +47 70 25 29 08
E-MAIL: office@nyborgfan.com - WEB: www.nyborgfan.com

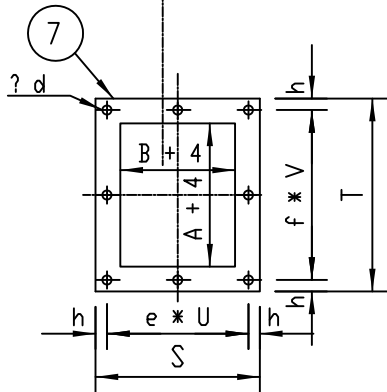
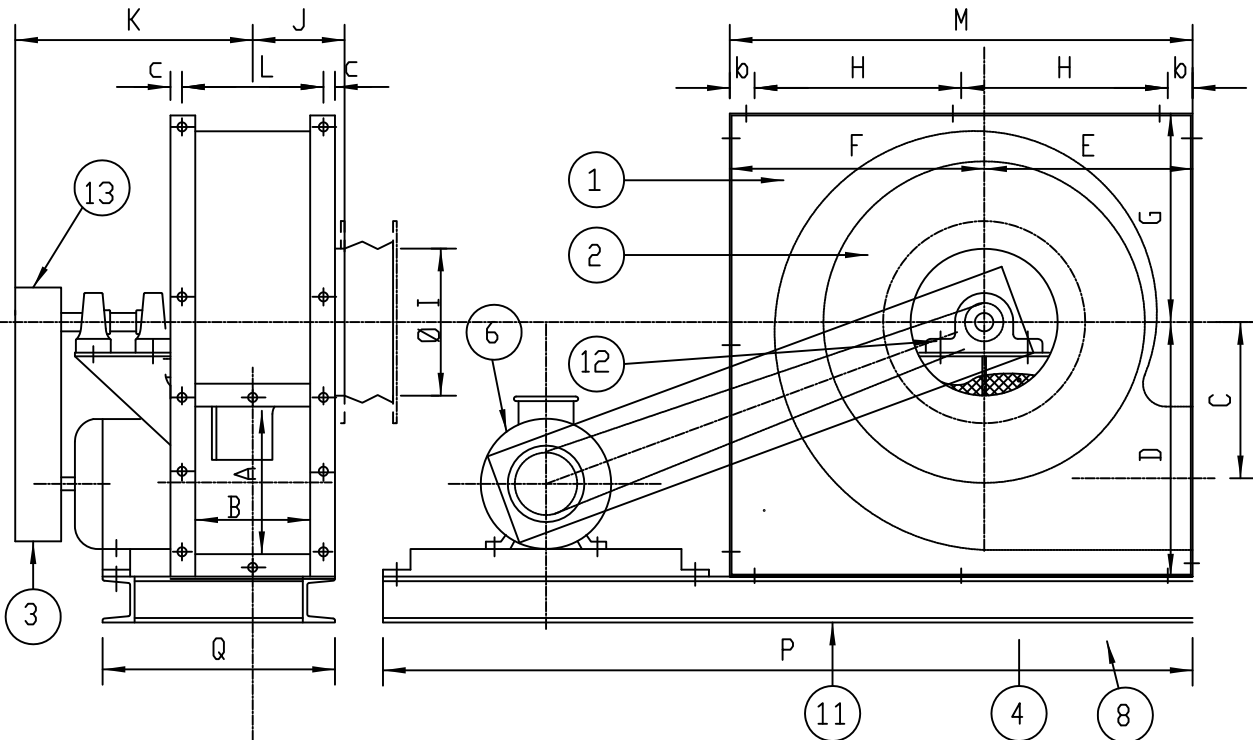
MSV-B1



MEDIUM PRESSURE CENTRIFUGAL FAN

Belt Drive Design Dimension Drawing

MSV - B2A



13	V-Belt Drive c/w Guard		
12	Ballbearings,		
11	Base Frame,	St.37	Hot Galv
	Contra Flange, Inlet	Alum.57S/St.37	Option
	Contra Flange, Outlet	Alum.57S/St.37	Option
8	Flange, Inlet	Alum.57S/St.37	Option
7	Flange, Outlet	Alum.57S/St.37	
6	El.Motor		
5	Conn.Piece,Collar In	Alum.57S/St.37	
4	Wire Guard, Inlet	Alum.57S/St.37	Option
3	Impeller	Alum.57S/St.37	
2	Inlet Cone	Alum.57S/St.37	
1	Fan Housing	Alum.57S/St.37	
Item	Description	Material	Remarks

Fan Size Ø I	A	B	C	D	E	F	G	H	J	K	L	M		
125	130	100	140	229	180	244	195	370	75		124	424		
160	156	125	170	277	227	277	227	225	100		154	504		
200	188	160	204	327	272	307	252	262,5	125		189	579		
250	250	190	233	392	282	392	282	305	145		224	674		
315	296	253	250	433	353	413	333	350	175		289	766		
350	367,5	276	317	533	403	543	413	440	192		306	946		
	b	c	d	e	f	h	U	V	S	T	Ø	P	Q	
125	22	10	9,5	1	1	10	124	154	144	174				
160	27	12,5	9,5	2	2	12,5	77	92,5	179	210				
200	27	12,5	9,5	2	2	12,5	94,5	108,5	214	242				
250	32	15	12	2	2	15	112	142	254	314				
315	33	15	12	2	3	15	144,5	110	319	360				
350	33	15	12	2	3	15	153	132,5	336	427,5				

Date : 08/12-95

Rev.: 03 4-1140-3

Drawn : R.Berge

NYBORG AS

N-6230 SYKKYLVEN - NORWAY

Tlf: +47 70 25 40 80 - Fax +47 70 25 29 08 - NO 952 783 297 MVA

E-MAIL: office@nyborgfan.com - WEB: www.nyborgfan.com

MSV - B2A

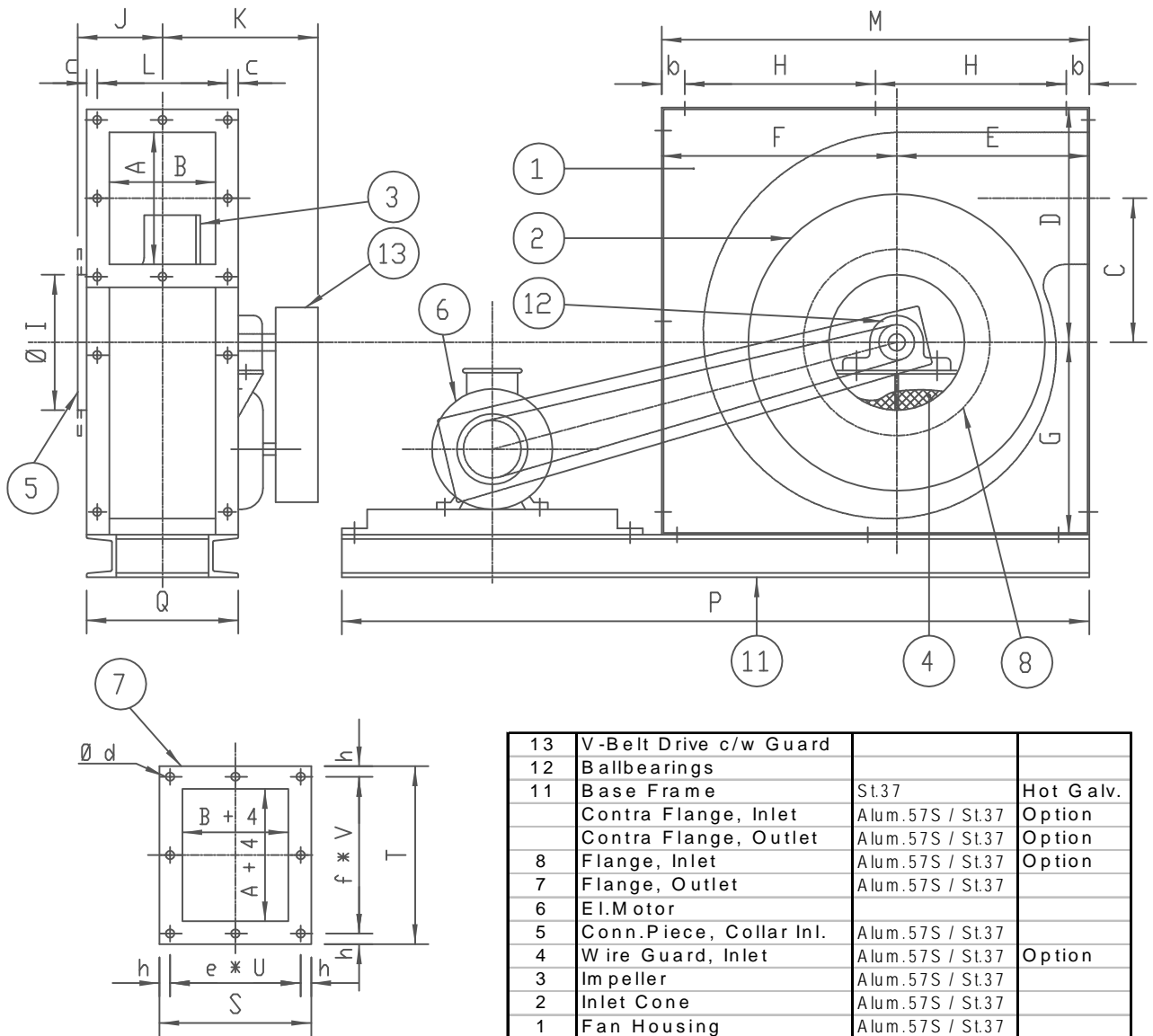
Medium Pressure
Centrifugal Fan



MEDIUM PRESSURE CENTRIFUGAL FAN
Belt Drive Design
Dimension Drawing

MSV - B2

Bearings in
Inlet Cone



13	V-Belt Drive c/w Guard		
12	Ballbearings		
11	Base Frame	St.37	Hot Galv.
	Contra Flange, Inlet	Alum.57S / St.37	Option
	Contra Flange, Outlet	Alum.57S / St.37	Option
8	Flange, Inlet	Alum.57S / St.37	Option
7	Flange, Outlet	Alum.57S / St.37	
6	El.Motor		
5	Conn.Piece, Collar Inl.	Alum.57S / St.37	
4	Wire Guard, Inlet	Alum.57S / St.37	Option
3	Impeller	Alum.57S / St.37	
2	Inlet Cone	Alum.57S / St.37	
1	Fan Housing	Alum.57S / St.37	
Item	Description	Material	Remarks

Fan Size Ø I	A	B	C	D	E	F	G	H	J	K	L	M	
125	130	100	140	229	180	244	195	370	75		124	424	
160	156	125	170	277	227	277	227	225	100		154	504	
200	188	160	204	327	272	307	252	262,5	125		189	579	
250	250	190	233	392	282	392	282	305	145		224	674	
315	296	253	250	433	353	413	333	350	175		289	766	
	b	c	d	e	f	h	U	V	S	T	O	P	Q
125	22	10	9,5	1	1	10	124	154	144	174			
160	27	12,5	9,5	2	2	12,5	77	92,5	179	210			
200	27	12,5	9,5	2	2	12,5	94,5	108,5	214	242			
250	32	15	12	2	2	15	112	142	254	314			
315	33	15	12	2	3	15	144,5	110	319	360			

Date : 08/12-95

4-1136-m

Drawn : R.Berge

N Y B O R G A S

N-6230 SYKKYLVEN - NORWAY

Tlf: +47 70 25 40 80 - Fax +47 70 25 29 08 - NO 952 783 297 MVA

E-MAIL: office@nyborgfan.com - WEB: www.nyborgfan.com

MSV - B2

Medium Pressure
Centrifugal Fan

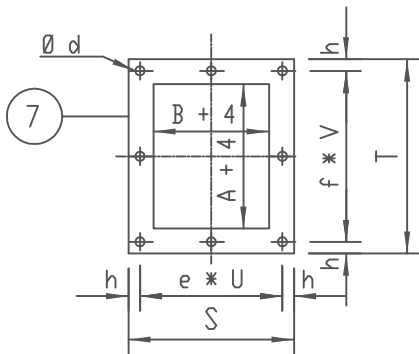
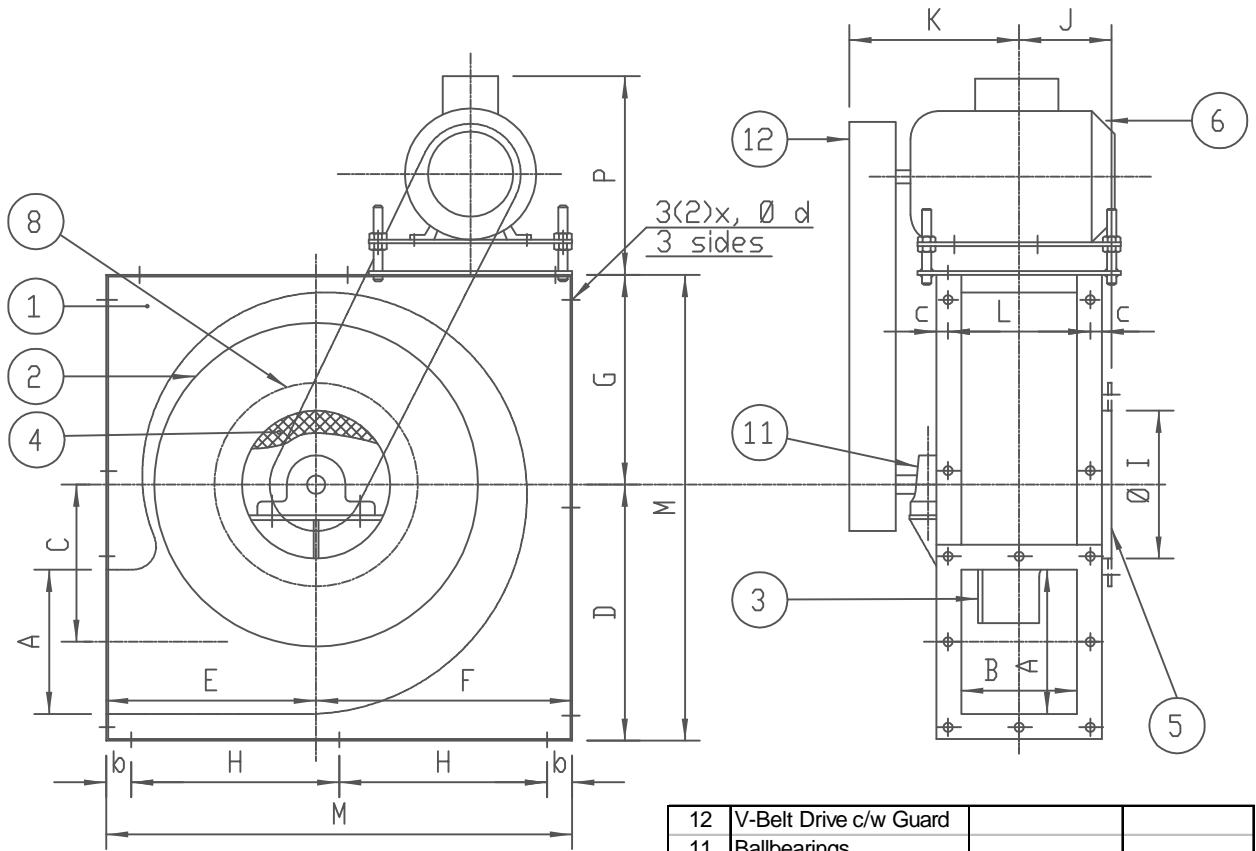


MEDIUM PRESSURE CENTRIFUGAL FAN

Belt Drive Design
Dimension Drawing

MSV - B3

Motor on
Fan Housing



12	V-Belt Drive c/w Guard		
11	Ballbearings		
	Contra Flange, Inlet	Alum.57S / St.37	Option
	Contra Flange, Outlet	Alum.57S / St.37	Option
8	Flange, Inlet	Alum.57S / St.37	Option
7	Flange, Outlet	Alum.57S / St.37	
6	EI.Motor		
5	Conn.Piece, Collar Inl.	Alum.57S / St.37	
4	Wire Guard, Inlet	Alum.57S / St.37	Option
3	Impeller	Alum.57S / St.37	
2	Inlet Cone	Alum.57S / St.37	
1	Fan Housing	Alum.57S / St.37	
Item	Description	Material	Remarks

Fan Size Ø I	A	B	C	D	E	F	G	H	J	K	L	M
125	130	100	140	229	180	244	195	370	75		124	424
160	156	125	170	277	227	277	227	225	100		154	504
200	188	160	204	327	272	307	252	262,5	125		189	579
250	250	190	233	392	282	392	282	305	145		224	674
315	296	253	250	433	353	413	333	350	175		289	766
	b	c	d	e	f	h	U	V	S	T		P
125	22	10	9,5	1	1	10	124	154	144	174		
160	27	12,5	9,5	2	2	12,5	77	92,5	179	210		
200	27	12,5	9,5	2	2	12,5	94,5	108,5	214	242		
250	32	15	12	2	2	15	112	142	254	314		
315	33	15	12	2	3	15	144,5	110	319	360		

Date :11/12-95

4-1138-m

Drawn:R.Berge

N Y B O R G A S

N-6239 SYKKYLVEN - NORWAY

Tlf: +47 70 25 40 80 - Fax +47 70 25 29 08 - NO 952 783 297 MVA

E-MAIL: office@nyborg-as.com - WEB: www.nyborg-as.com

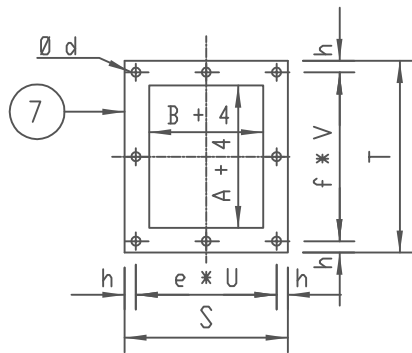
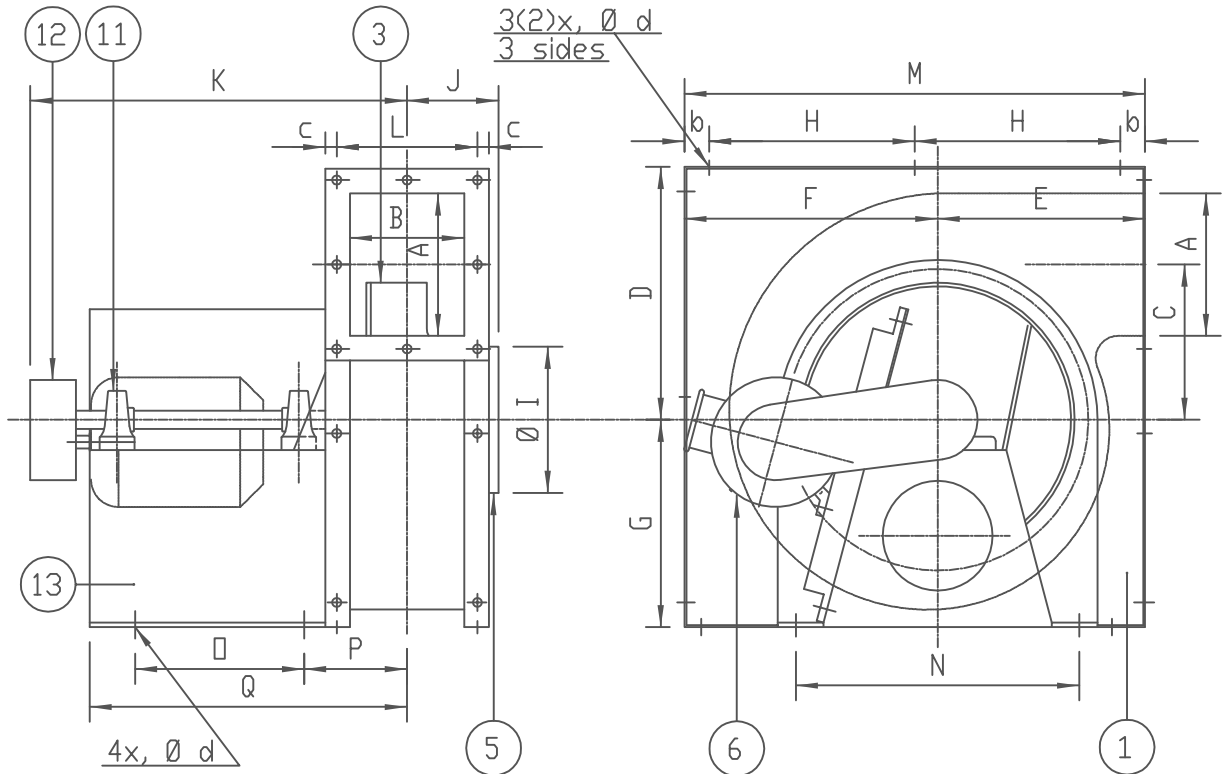
MSV - B3

Medium Pressure
Centrifugal Fan



MEDIUM PRESSURE CENTRIFUGAL FAN
Belt Drive Design
Dimension Drawing

MSV - B3
Motor-/Bearing
Pedestal



13	Motor/Bearing Pedestal	St.37	
12	V-Belt Drive c/w Guard		
11	Ballbearings		
	Contra Flange, Inlet	Alum.57S / St.37	Option
	Contra Flange, Outlet	Alum.57S / St.37	Option
	Flange, Inlet	Alum.57S / St.37	Option
7	Flange, Outlet	Alum.57S / St.37	
6	El.Motor		
5	Conn.Piece, Collar Inl.	Alum.57S / St.37	
	Wire Guard, Inlet	Alum.57S / St.37	Option
3	Impeller	Alum.57S / St.37	
2	Inlet Cone	Alum.57S / St.37	
1	Fan Housing	Alum.57S / St.37	
Item	Description	Material	Remarks

Fan Size Ø I	A	B	C	D	E	F	G	H	J	K	L	M	N
125	130	100	140	229	180	244	195	370	75		124	424	
160	156	125	170	277	227	277	227	225	100		154	504	
200	188	160	204	327	272	307	252	262,5	125		189	579	
250	250	190	233	392	282	392	282	305	145		224	674	
315	296	253	250	433	353	413	333	350	175		289	766	
	b	c	d	e	f	h	U	V	S	T			
125	22	10	9,5	1	1	10	124	154	144	174			
160	27	12,5	9,5	2	2	12,5	77	92,5	179	210			
200	27	12,5	9,5	2	2	12,5	94,5	108,5	214	242			
250	32	15	12	2	2	15	112	142	254	314			
315	33	15	12	2	3	15	144,5	110	319	360			

Date : 11/12-95

4-1137-m

Drawn : R.Berge

N Y B O R G A S

N-6230 SYKKYLVEN - NORWAY

Tlf: +47 70 25 40 80 - Fax +47 70 25 29 08

E-MAIL: office@nyborgfan.com - WEB: www.nyborgfan.com

MSV - B3

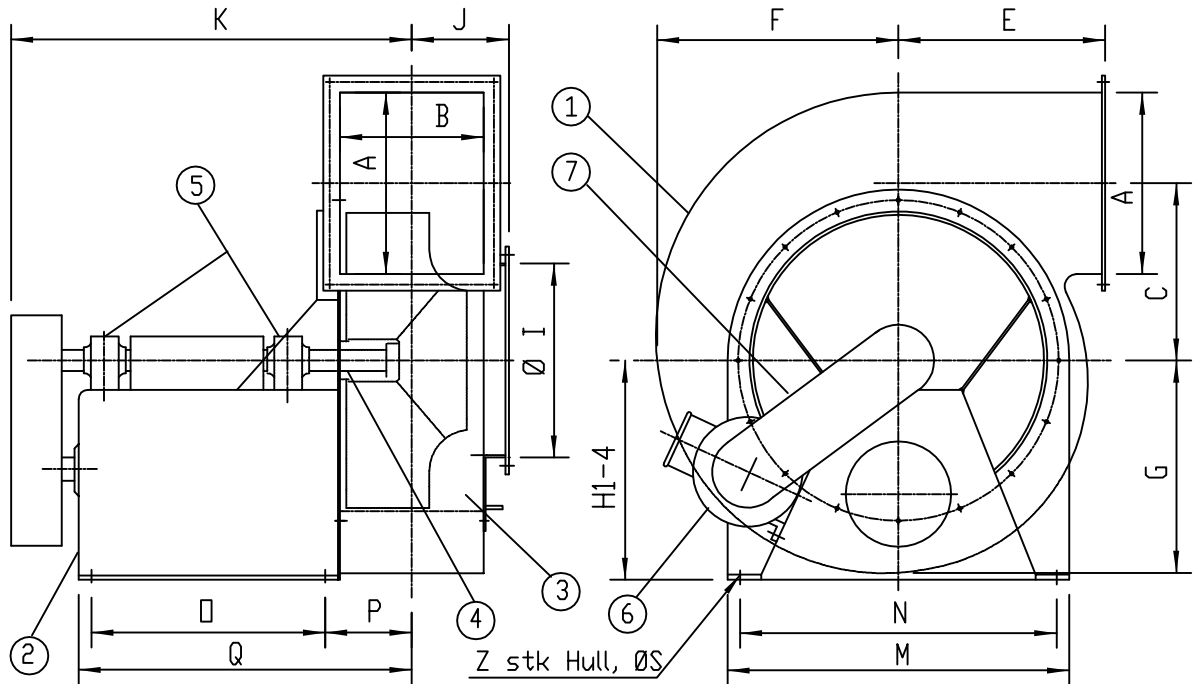
Medium Pressure
Centrifugal Fan



MEDIUM PRESSURE CENTRIFUGAL FAN
Belt Drive Design
Dimension Drawing

MSV-B3

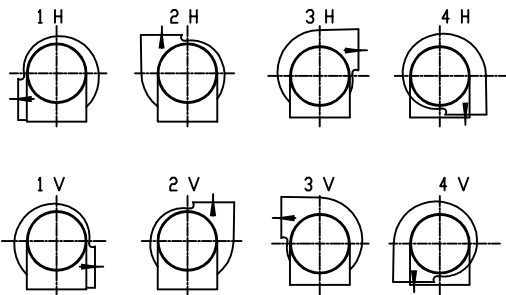
Motor/Bearing
Pedestal



SIZE Ø I	A	B	C	E	F	G	H1	H2	H3	H4	J	K	M	N	O	P	Q	Z	S
350	350	270	320	380	425	380	550	450	400	450	190		630	580		170		4	14
400	370	290	370	440	505	450	600	550	500	400	210		700	650		175		4	16
450	420	330	420	490	575	510	680	620	560	430	230		810	750		195		4	16
500	460	370	460	520	630	540	750	650	600	470	250		900	800		230		4	16
600	530	410	530	600	730	630	850	775	680	550	280		1000	900		250		4	22
700	690	490	630	700	860	750	1050	910	800	650	330		1200	1120		290		4	22

MOUNTING POSITIONS

To be seen against the inlet



- ① FAN HOUSING
Matl.: St. 37
- ② MOTOR PEDESTAL.
Matl.: St. 37
- ③ FAN IMPELLER
Matl.: St. 37
- ④ SHAFT SEAL OR GASTIGHT ASSEMBLY
If applicable
- ⑤ 2 pcs. BEARINGS
- ⑥ El.Motor:
kW: Rpm: V: Hz:
- ⑦ V-Belt Transmission c/w Belt Drive

24.06.97

M.Berge

msvb3af

N Y B O R G A S

N-6230 SYKKYLVEN - NORWAY

Tel: +47 70 25 40 80 - Fax +47 70 25 29 08

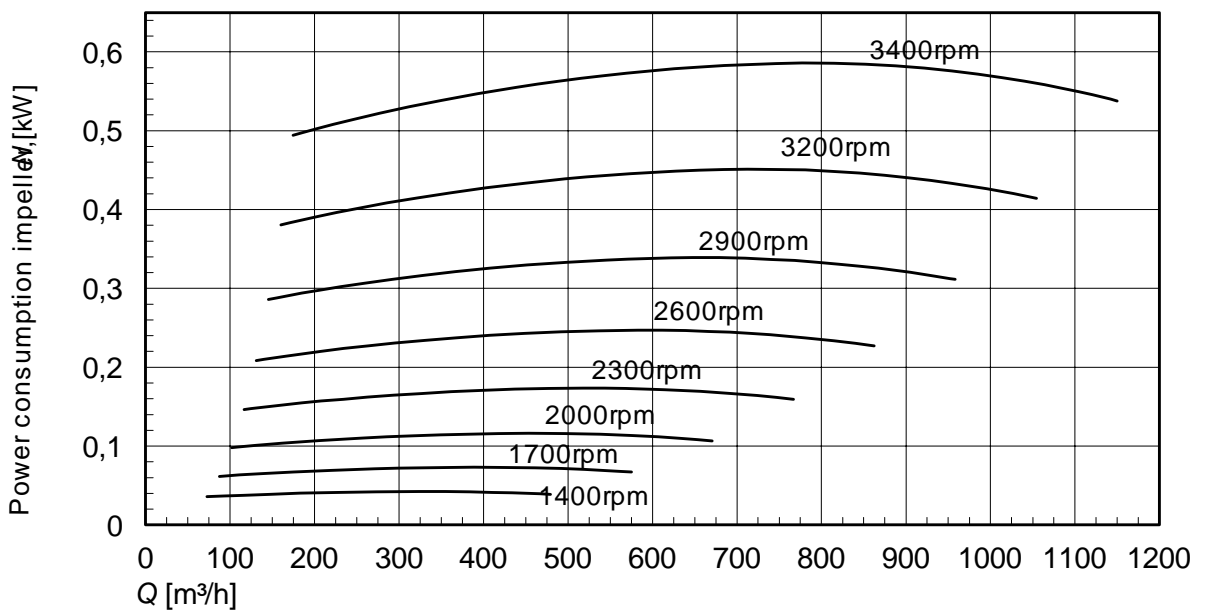
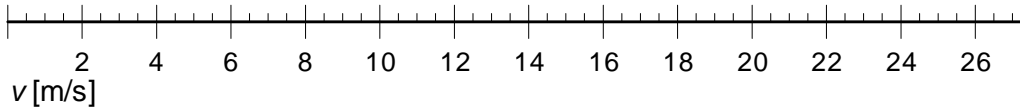
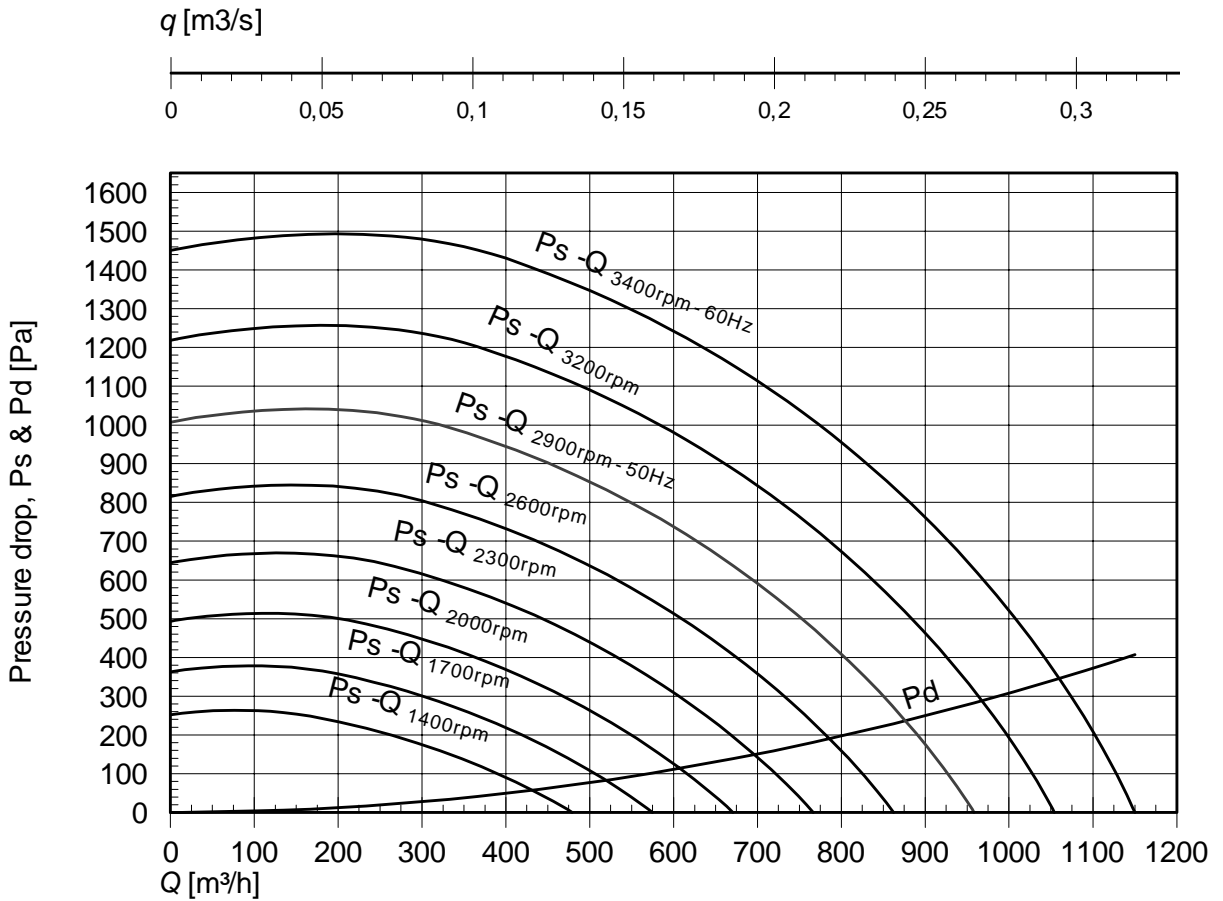
E-MAIL: office@nyborgfan.com - WEB: www.nyborgfan.com

MSV-B3



MEDIUM PRESSURE CENTR. FAN PERFORMANCE DATA

MSV 125 B
Imp: B9x250x70



N Y B O R G A S

Nyborg10-24

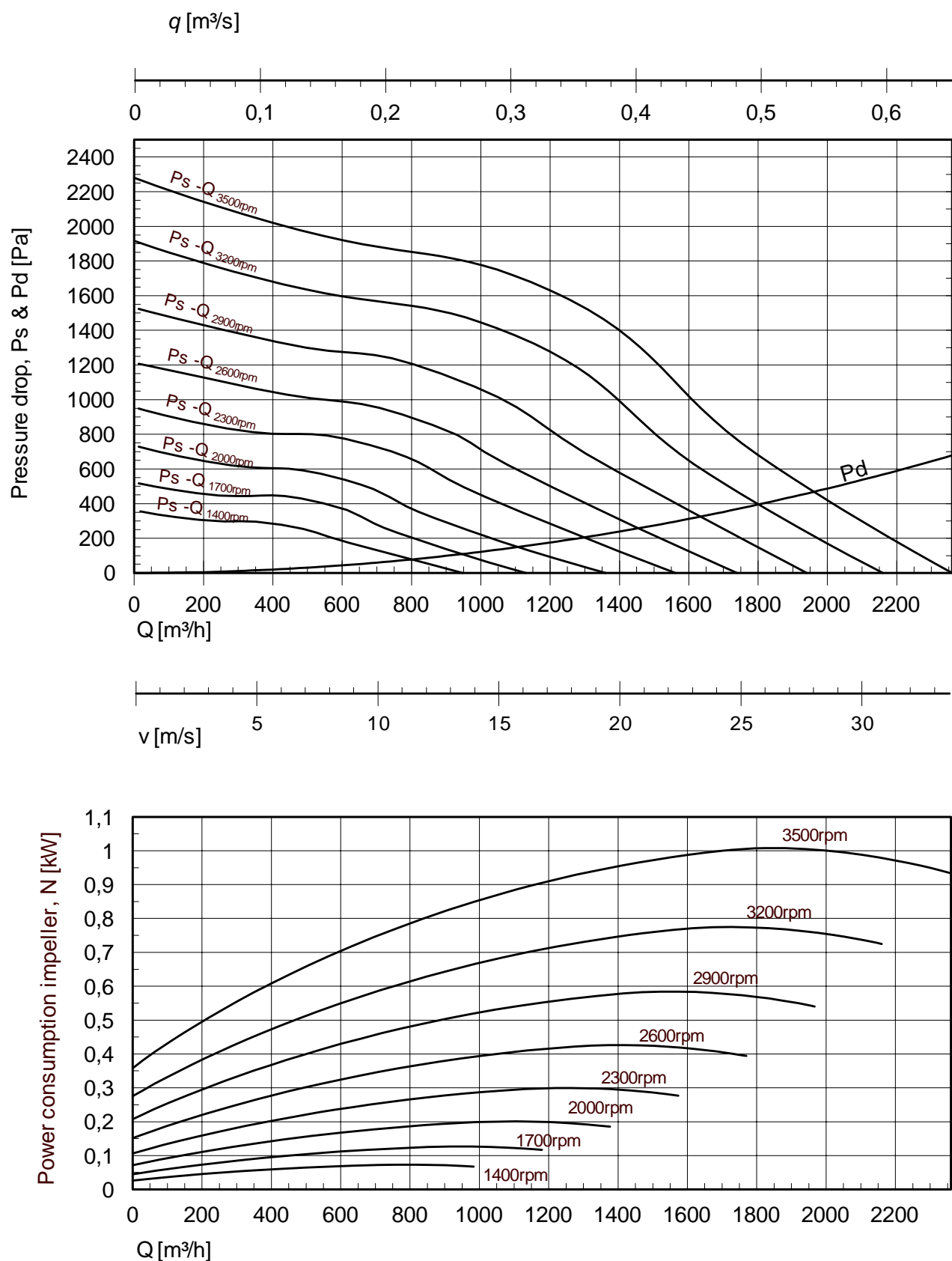
N-6230 SYKKYLVEN, NORWAY
TEL +47 70 25 40 80 - FAX +47 70 25 29 08
office@nyborgfan.com - www.nyborgfan.com

MSV 125 B



MEDIUM PRESS. CENTR. FAN PERFORMANCE DATA

MSV 160 B
Imp: B12x300x60



N Y B O R G A S

Nyborg10.prs/3

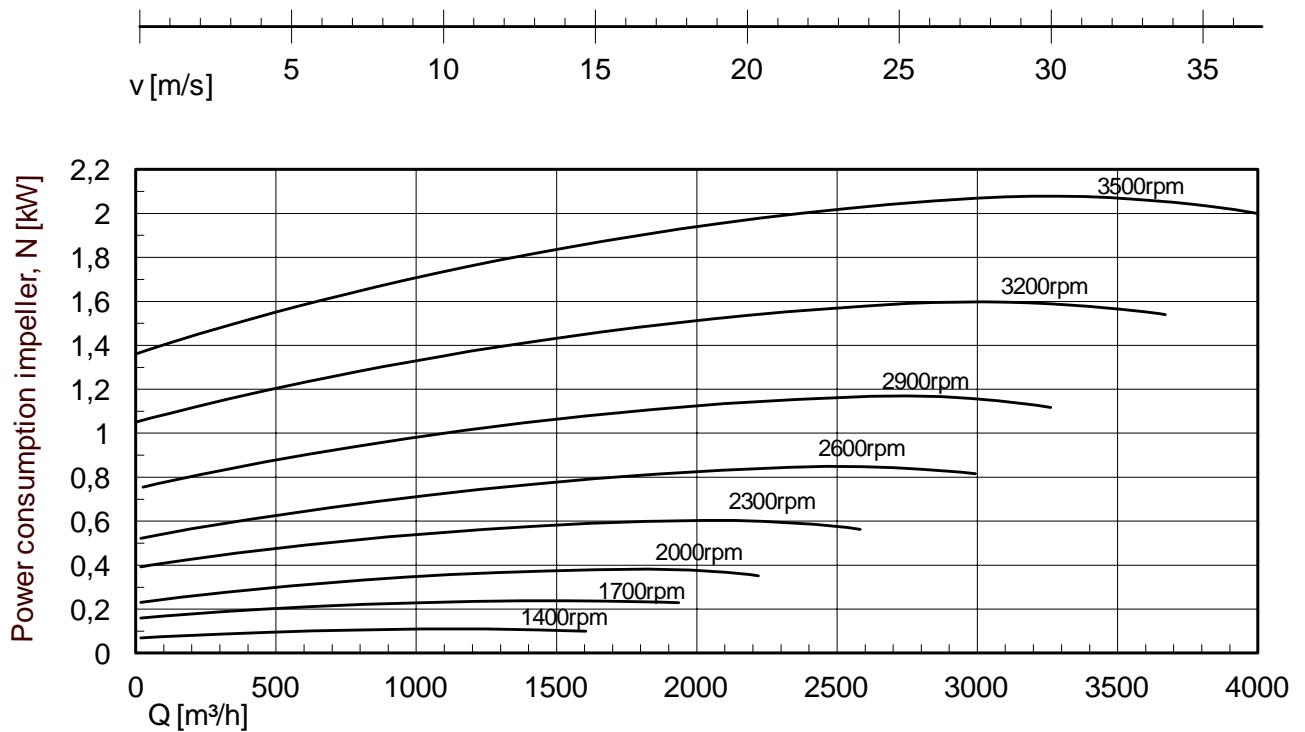
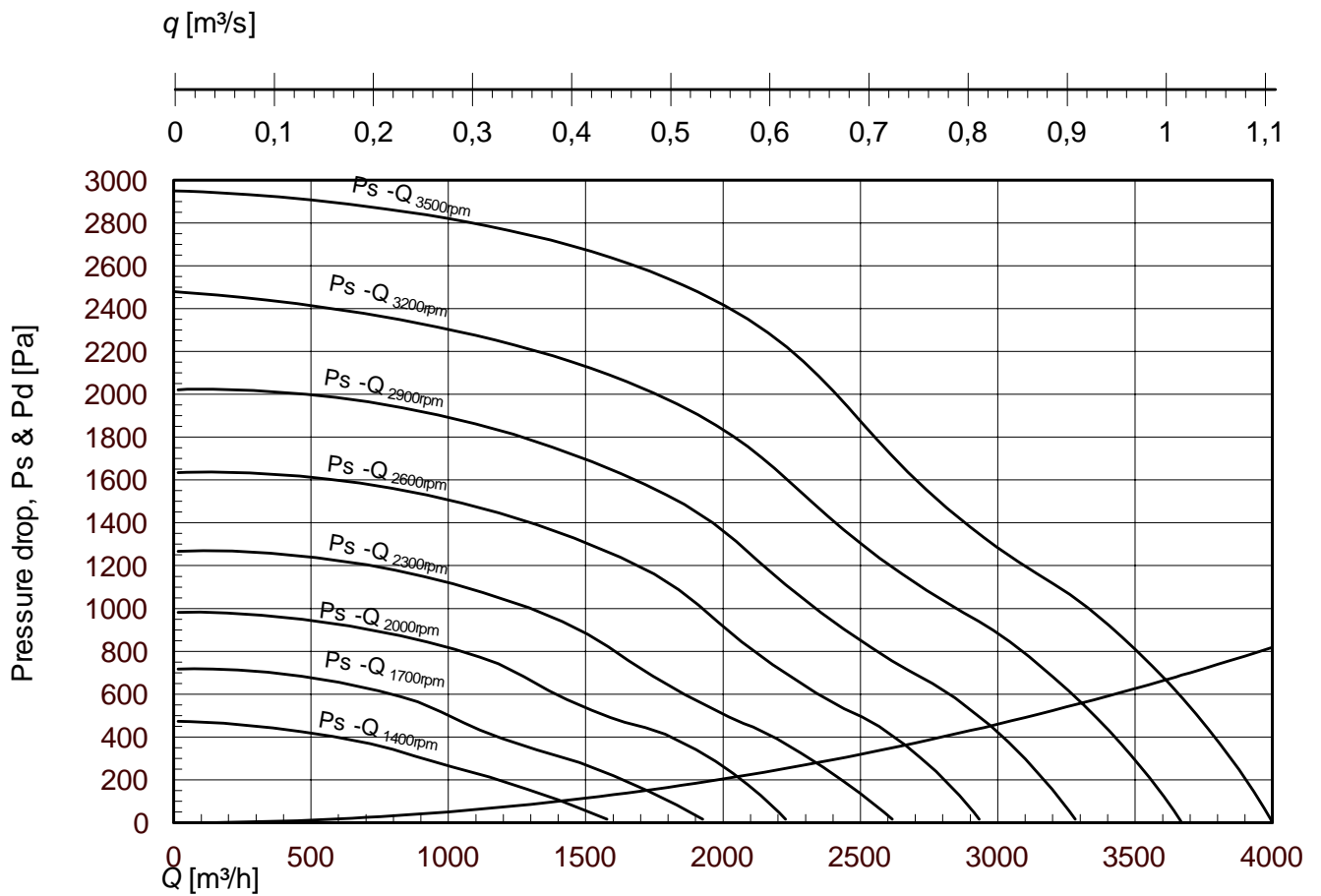
N-6230 SYKKYLVEN, NORWAY
TEL +47 70 25 40 80 - FAX +47 70 25 29 08
office@nyborgfan.com - www.nyborgfan.com

MSV 160 B



MEDIUM PRESS. CENTR. FAN PERFORMANCE DATA

MSV 200 B
Imp: B12x350x70



N Y B O R G A S

Nyborg10.prs/4

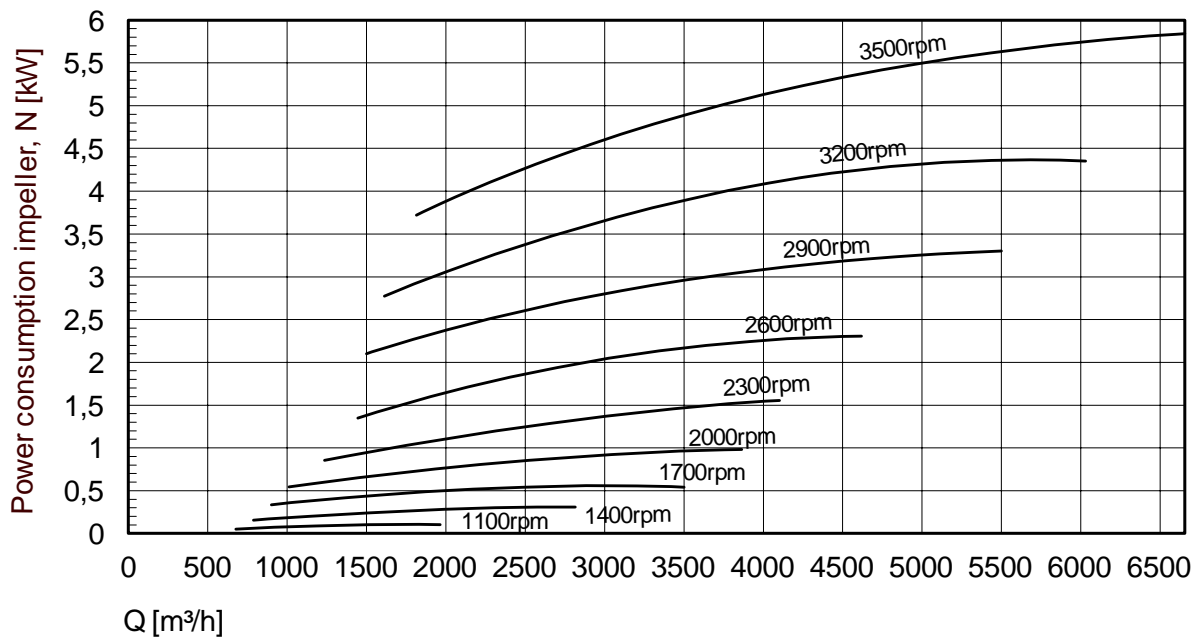
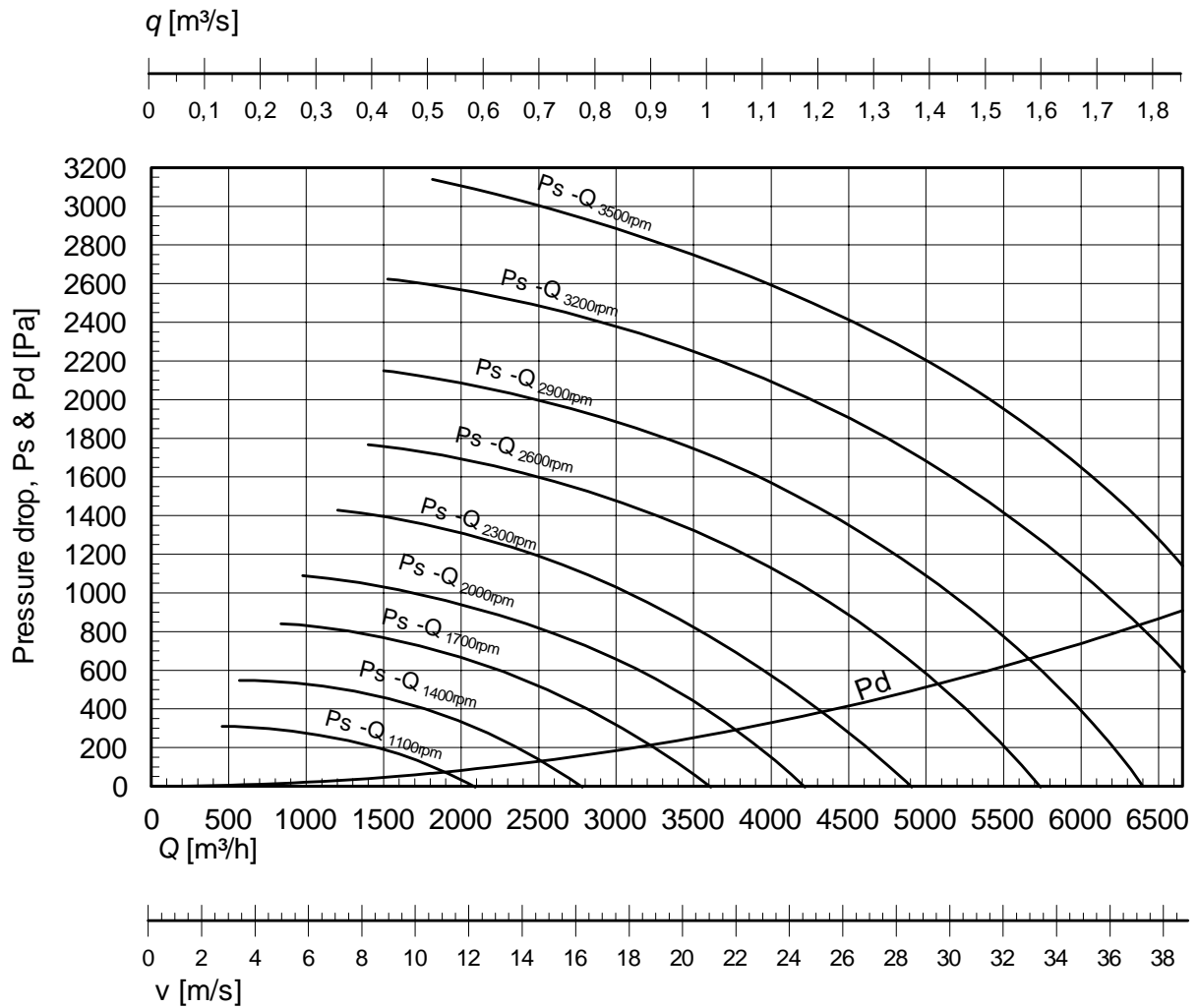
N-6230 SYKKYLVEN, NORWAY
TEL +47 70 25 40 80 - FAX +47 70 25 29 08
office@nyborgfan.com - www.nyborgfan.com

MSV 200 B



MEDIUM PRESS. CENTR. FAN PERFORMANCE DATA

MSV 250 B
Imp: B12x400x80



N Y B O R G A S

Nyborg10.prs/5

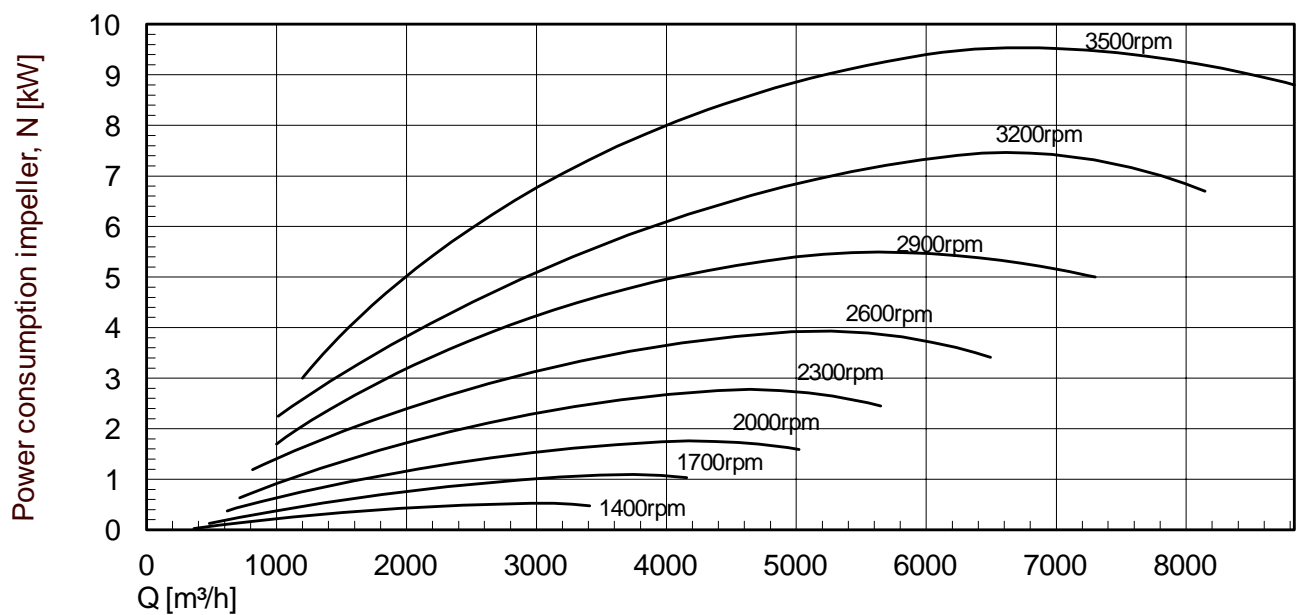
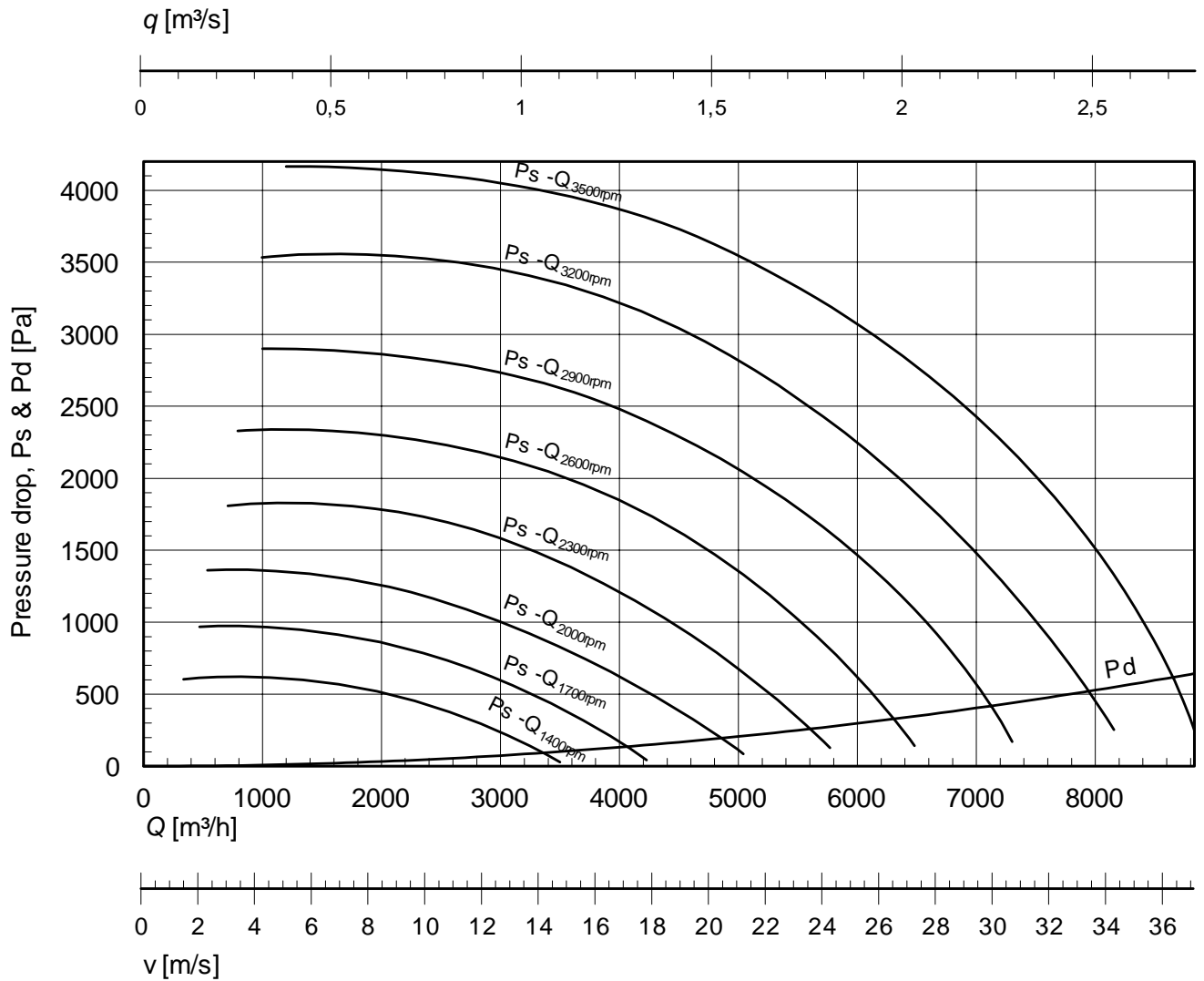
N-6230 SYKKYLVEN, NORWAY
TEL +47 70 25 40 80 - FAX +47 70 25 29 08
office@nyborgfan.com - www.nyborgfan.com

MSV 250 B



MEDIUM PRESS. CENTR. FAN PERFORMANCE DATA

MSV 315 B
Imp: B12x450x90



N Y B O R G A S

Nyborg10.prs/6

N-6230 SYKKYLVEN, NORWAY
TEL +47 70 25 40 80 - FAX +47 70 25 29 08
office@nyborgfan.com - www.nyborgfan.com

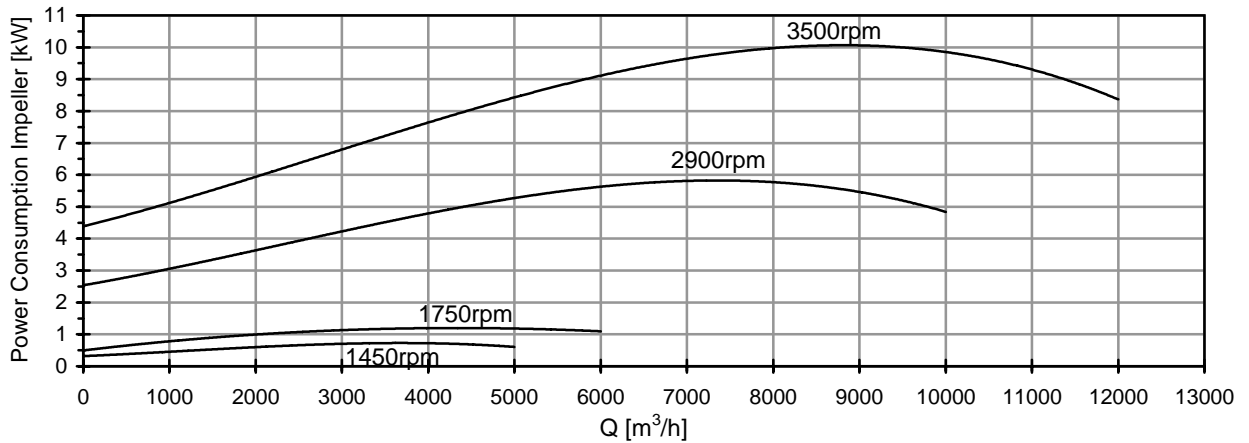
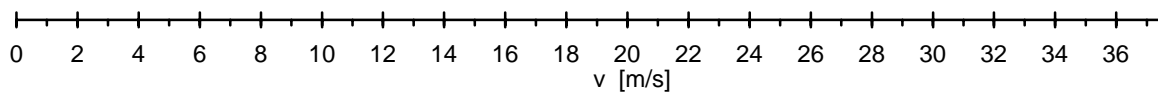
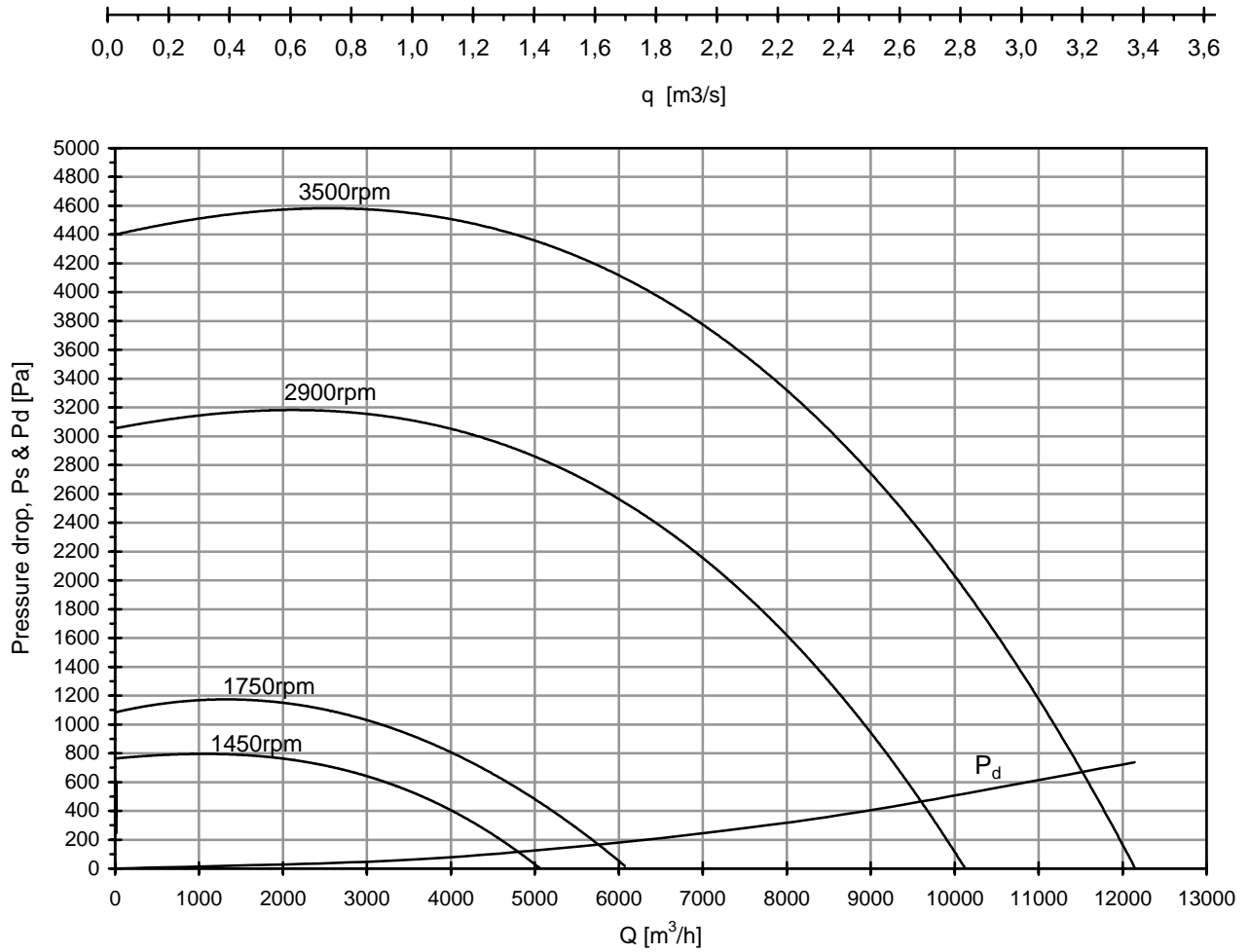
MSV 315 B



NYBORG MEDIUM PRESS. CENTR. FAN PERFORMANCE DATA

MSV 350 B

Imp:B12x500x80



NYBORG AS

N-6230 Sykkylven, Norway

TEL +47 7025 4080 - FAX +47 7025 2908

office@nyborgfan.com - www.nyborgfan.com

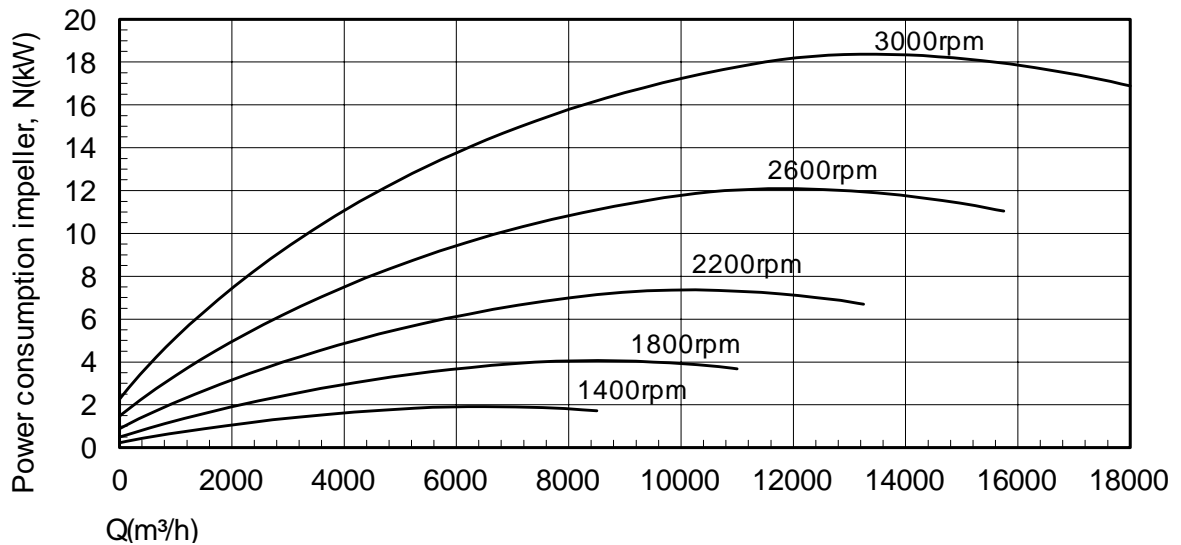
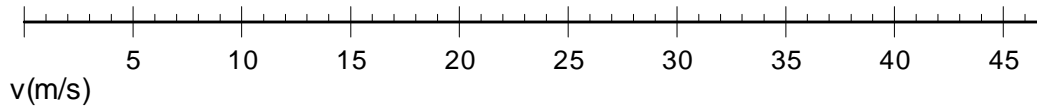
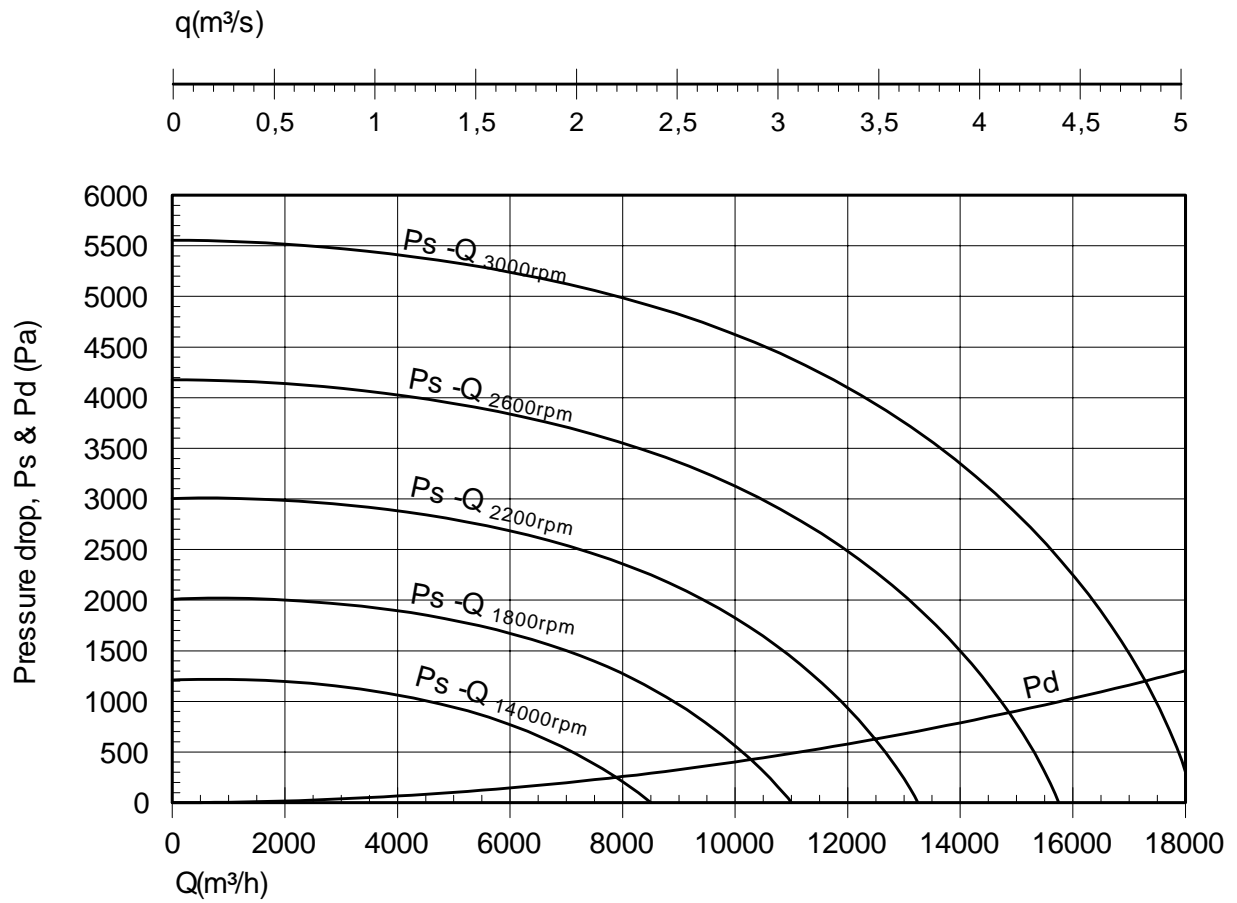
msv01_xls-1

MSV 350 B



MEDIUM PRESS. CENTR. FAN PERFORMANCE DATA

MSV 400 B
Imp: B12x620x95



N Y B O R G A S

Nyborg14.prs/1

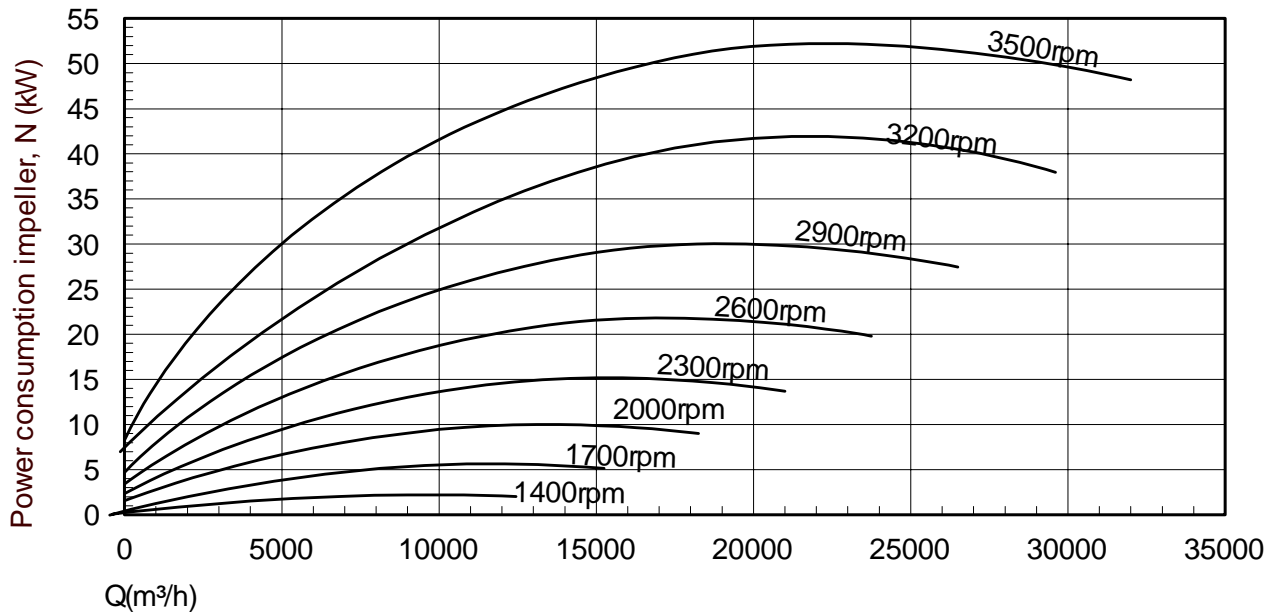
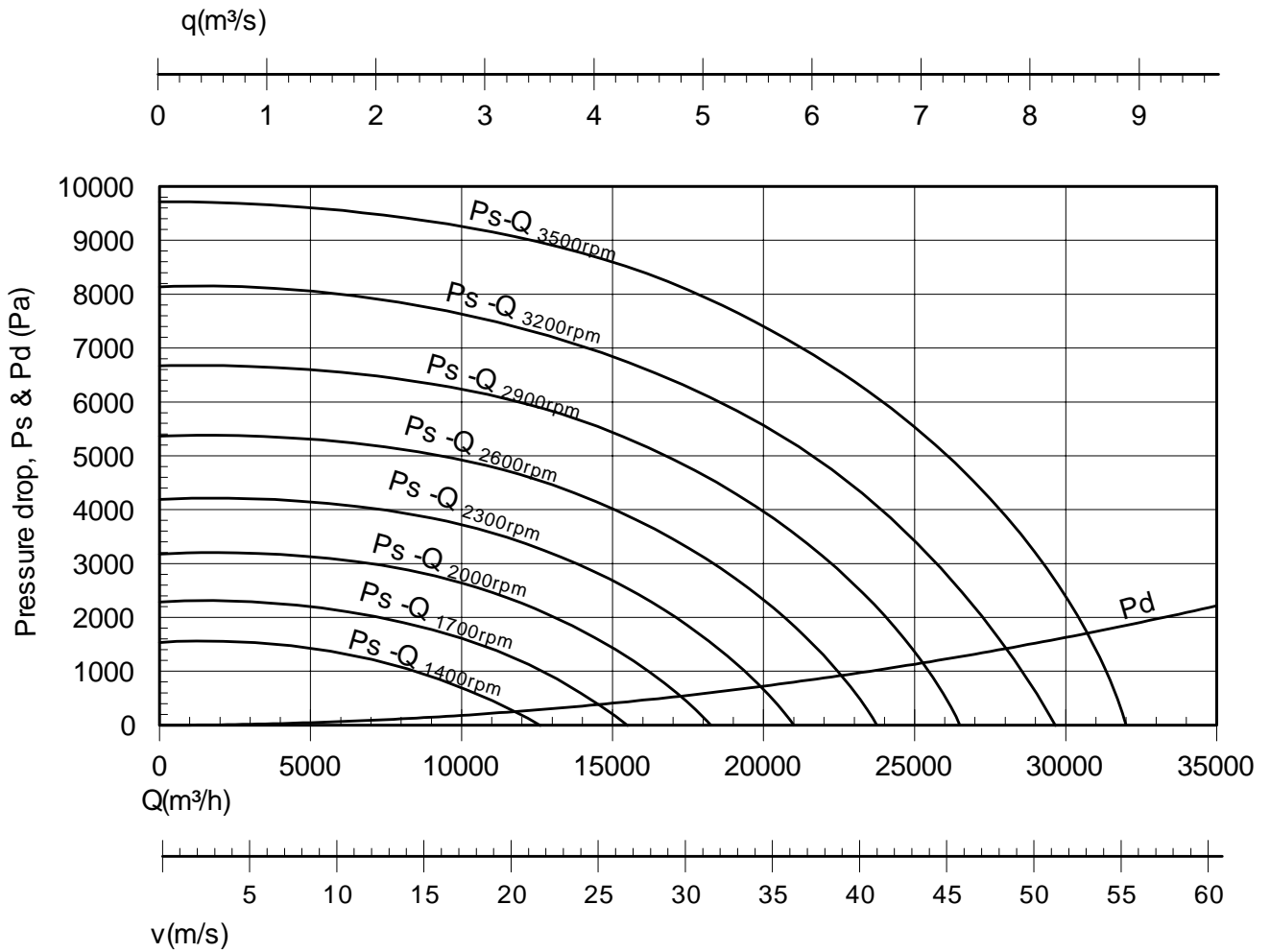
N-6230 SYKKYLVEN, NORWAY
TEL +47 70 25 40 80 - FAX +47 70 25 29 08
office@nyborgfan.com - www.nyborgfan.com

MSV 400 B



MEDIUM PRESS. CENTR. FAN PERFORMANCE DATA

MSV 450 B
Imp: B16x680x110



N Y B O R G A S

Nyborg15.prs/3

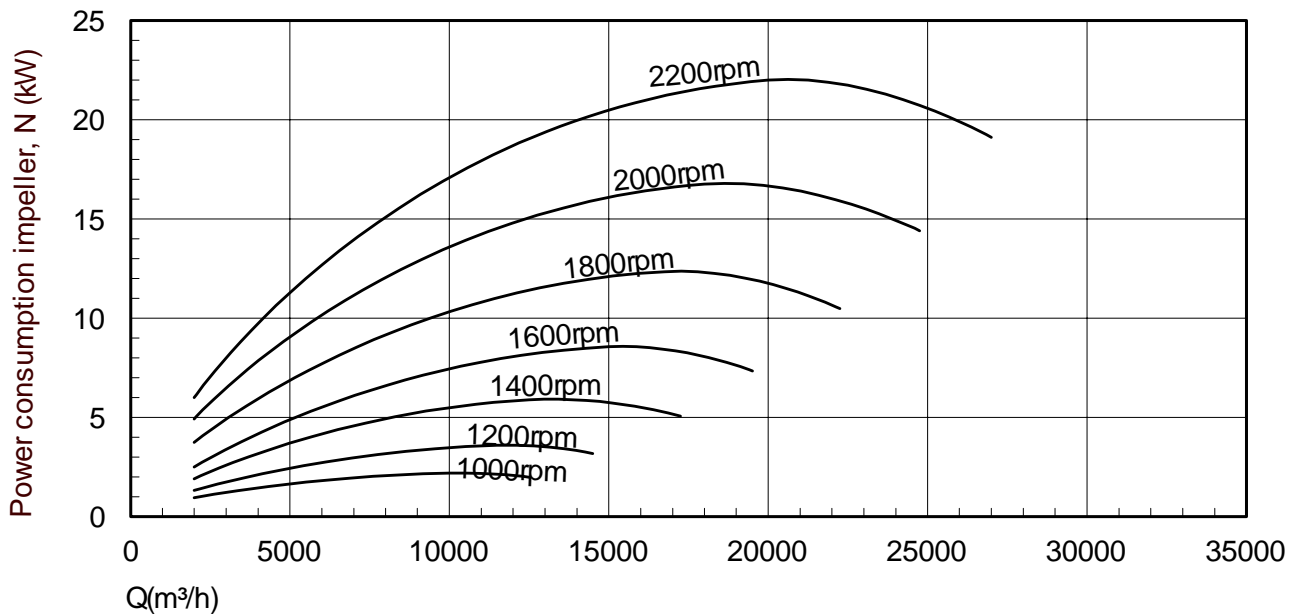
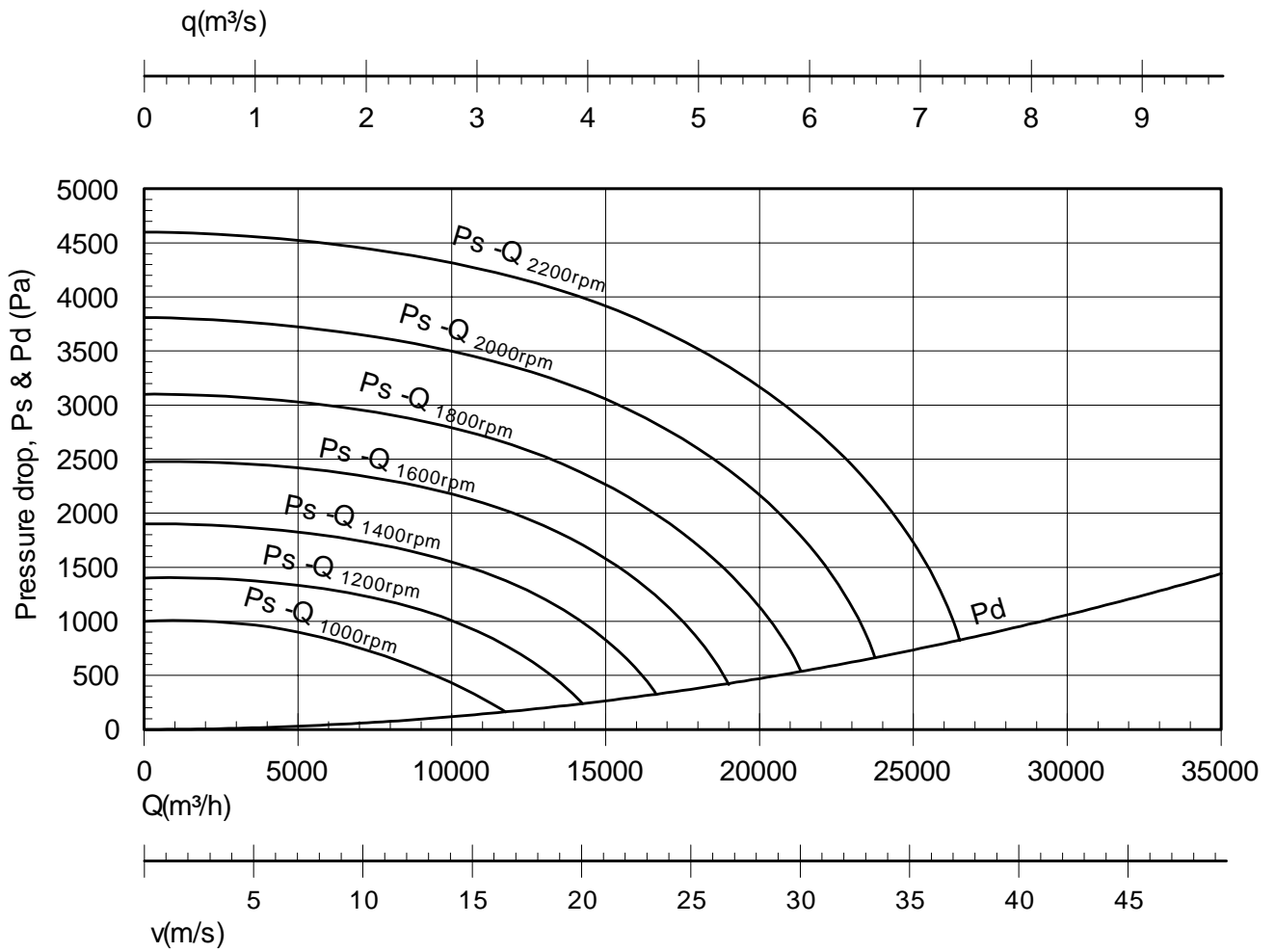
N-6230 SYKKYLVEN, NORWAY
TEL +47 70 25 40 80 - FAX +47 70 25 29 08
office@nyborgfan.com - www.nyborgfan.com

MSV 450 B



MEDIUM PRESS. CENTR. FAN PERFORMANCE DATA

MSV 500 B
Imp: B12x750x120



N Y B O R G A S

Nyborg15.prs/12

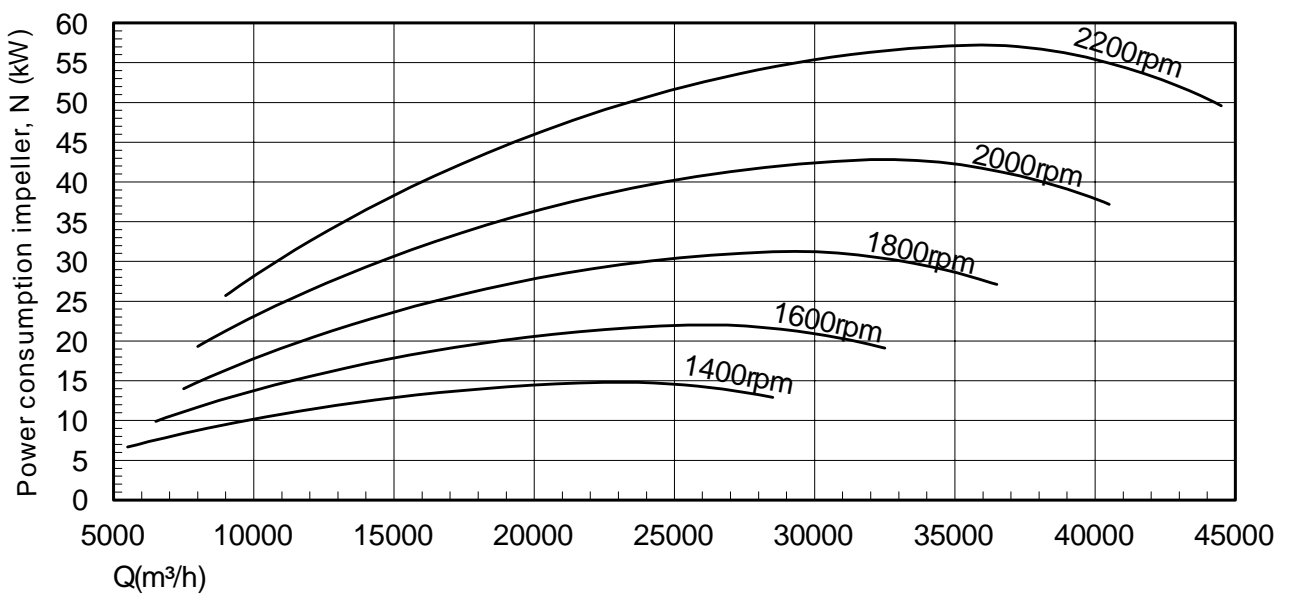
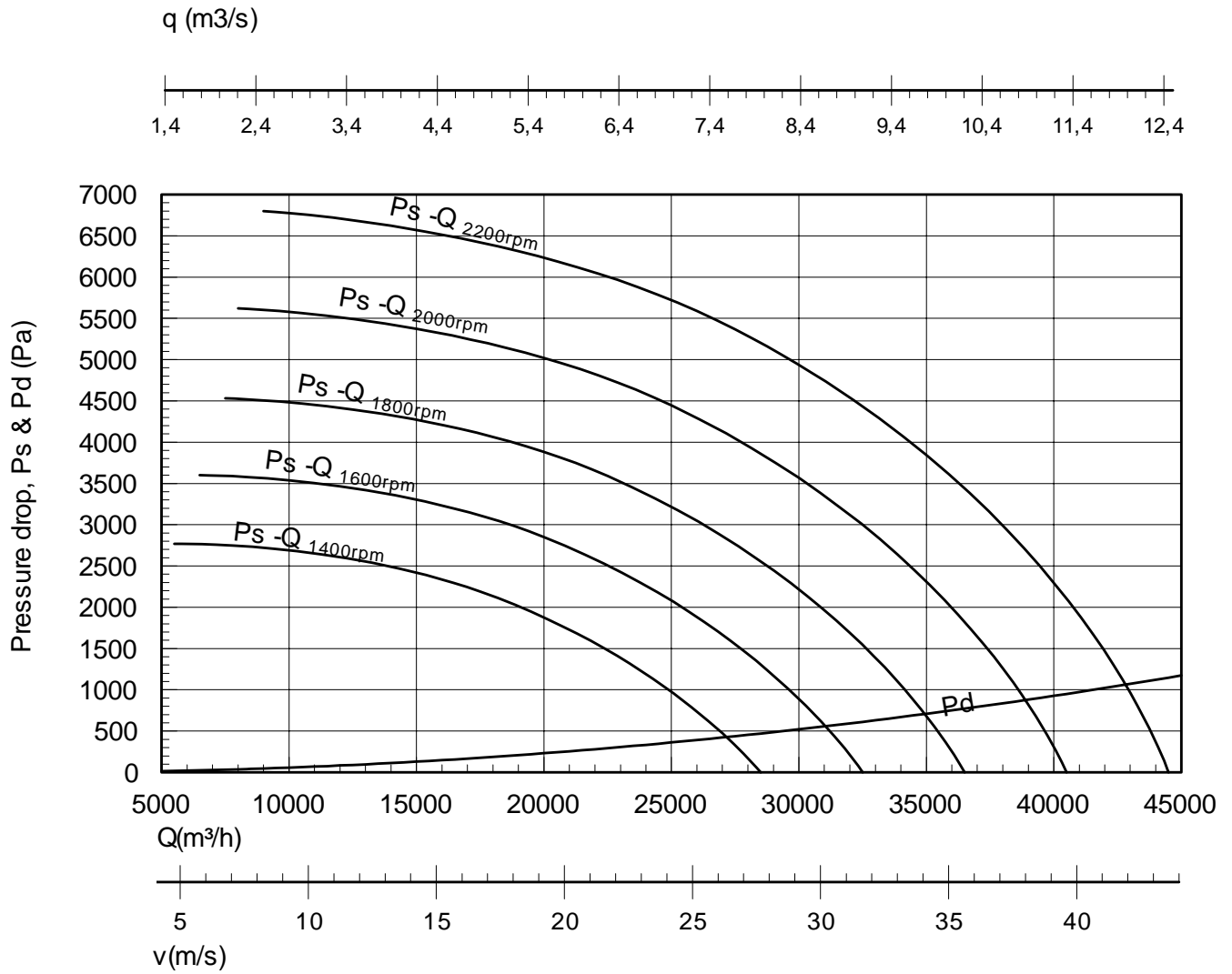
N-6230 SYKKYLVEN, NORWAY
TEL +47 70 25 40 80 - FAX +47 70 25 29 08
office@nyborgfan.com - www.nyborgfan.com

MSV 500 B



MEDIUM PRESS. CENTR. FAN PERFORMANCE DATA

MSV 600 B
Imp: B12x880x150



N Y B O R G A S

Nyborg14.prs/2

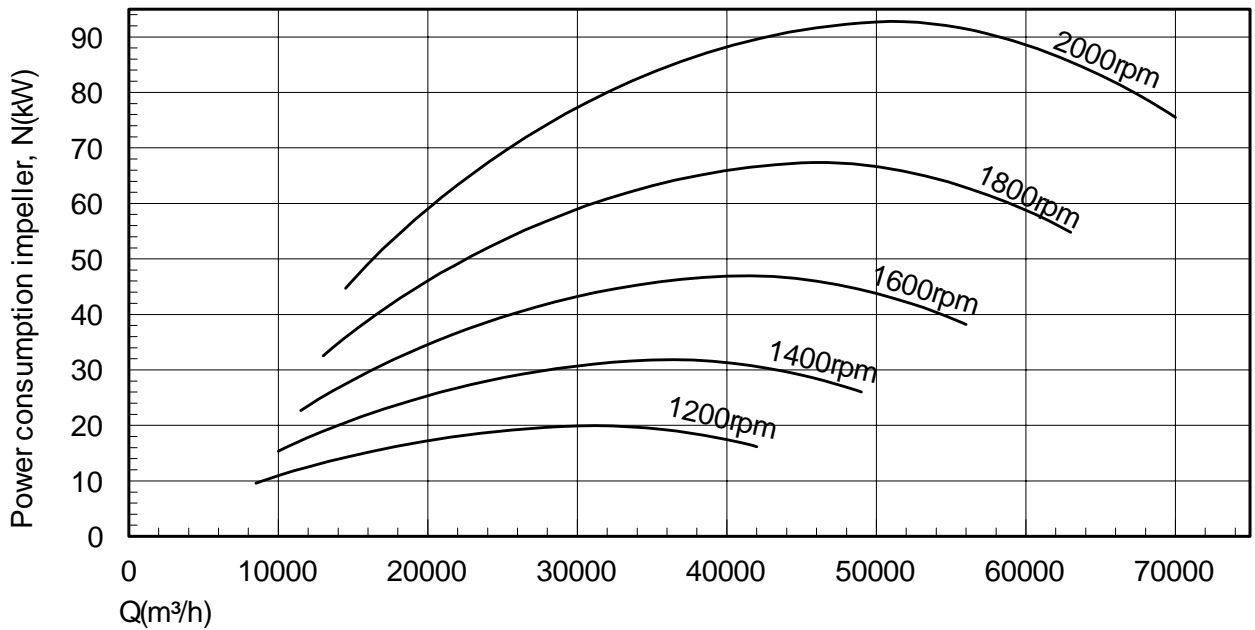
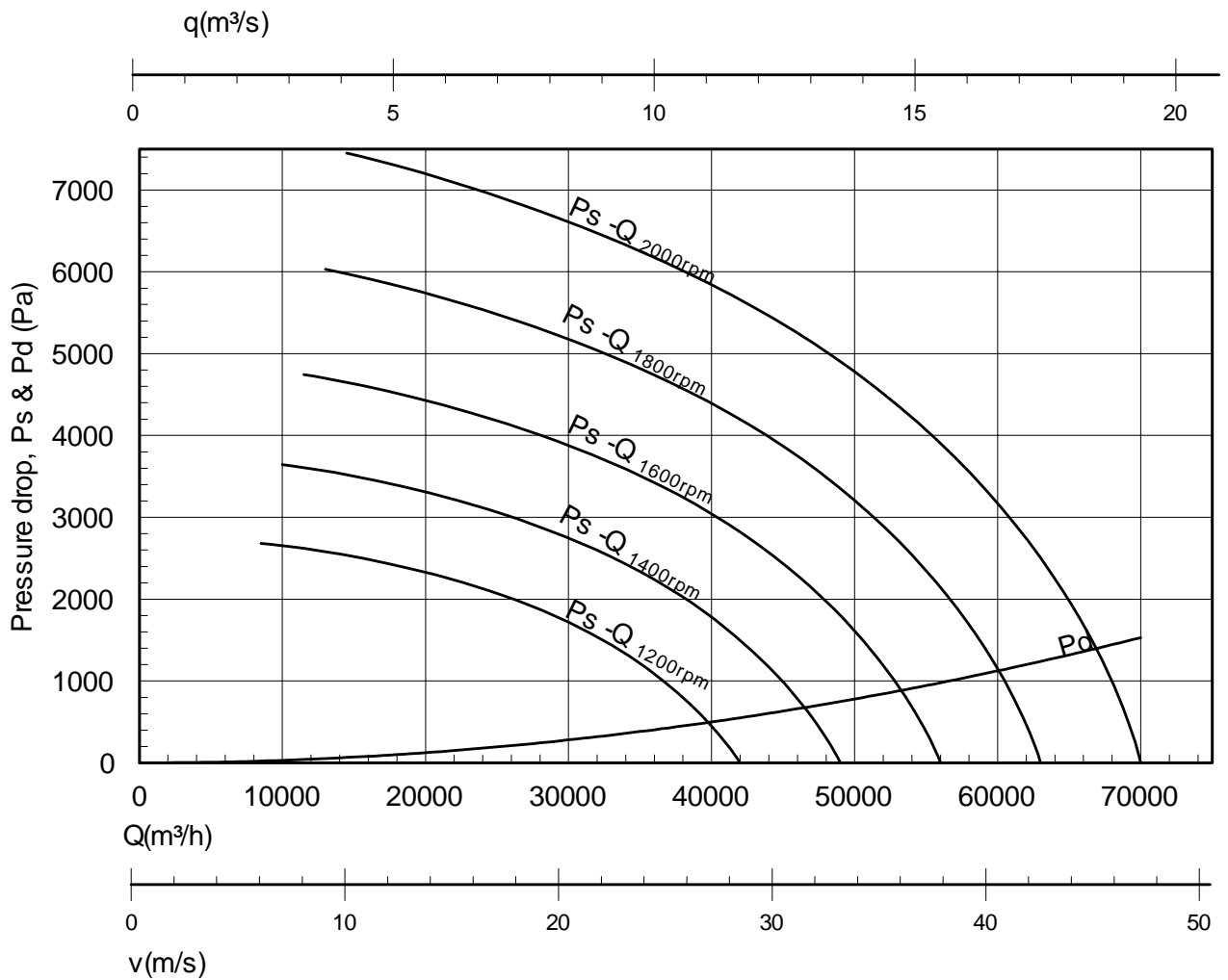
N-6230 SYKKYLVEN, NORWAY
TEL +47 70 25 40 80 - FAX +47 70 25 29 08
office@nyborgfan.com - www.nyborgfan.com

MSV 600 B



MEDIUM PRESS. CENTR. FAN PERFORMANCE DATA

MSV 700 B
Imp: B12x1050x170



N Y B O R G A S

Nyborg14.prs/5

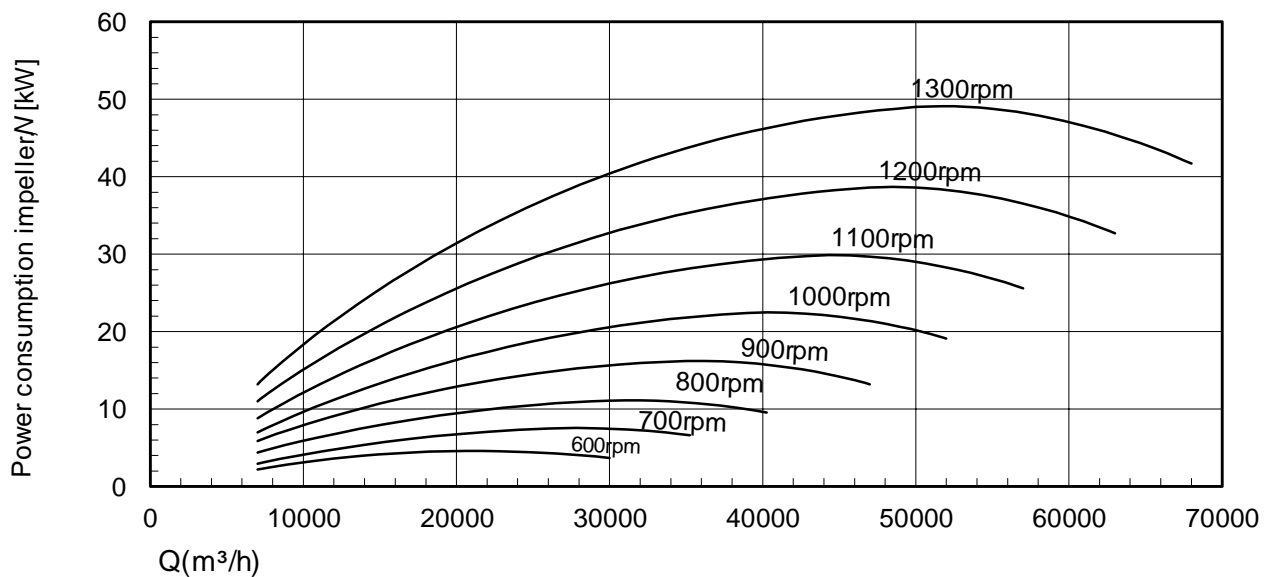
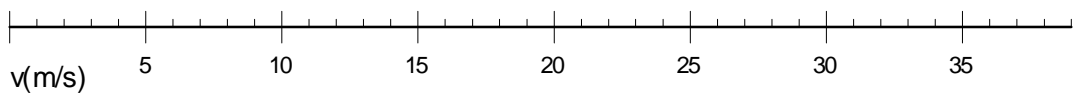
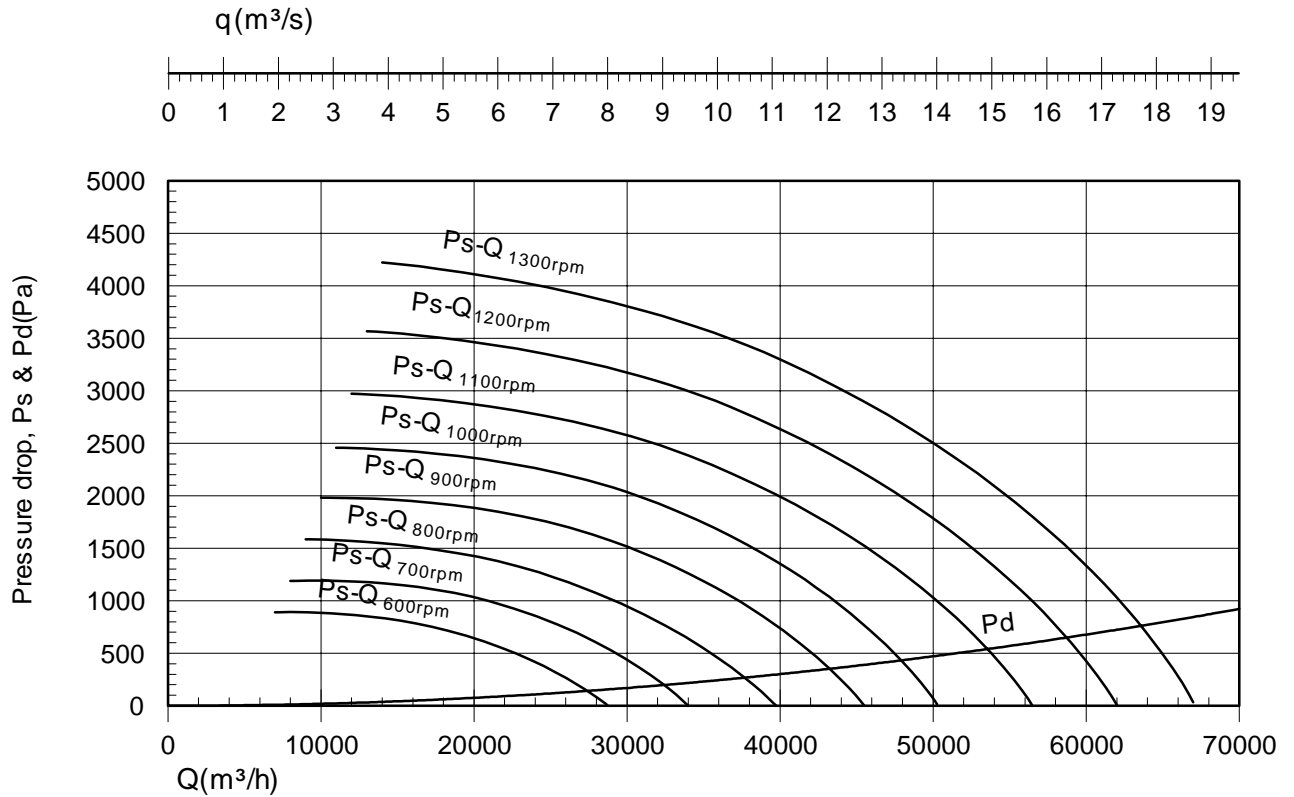
N-6230 SYKKYLVEN, NORWAY
TEL +47 70 25 40 80 - FAX +47 70 25 29 08
office@nyborgfan.com - www.nyborgfan.com

MSV 700 B



MEDIUM PRESSURE CENTR. FAN PERFORMANCE DATA

MSV 800 B
Imp: B16x1200x190



N Y B O R G A S

Nyborg20-12

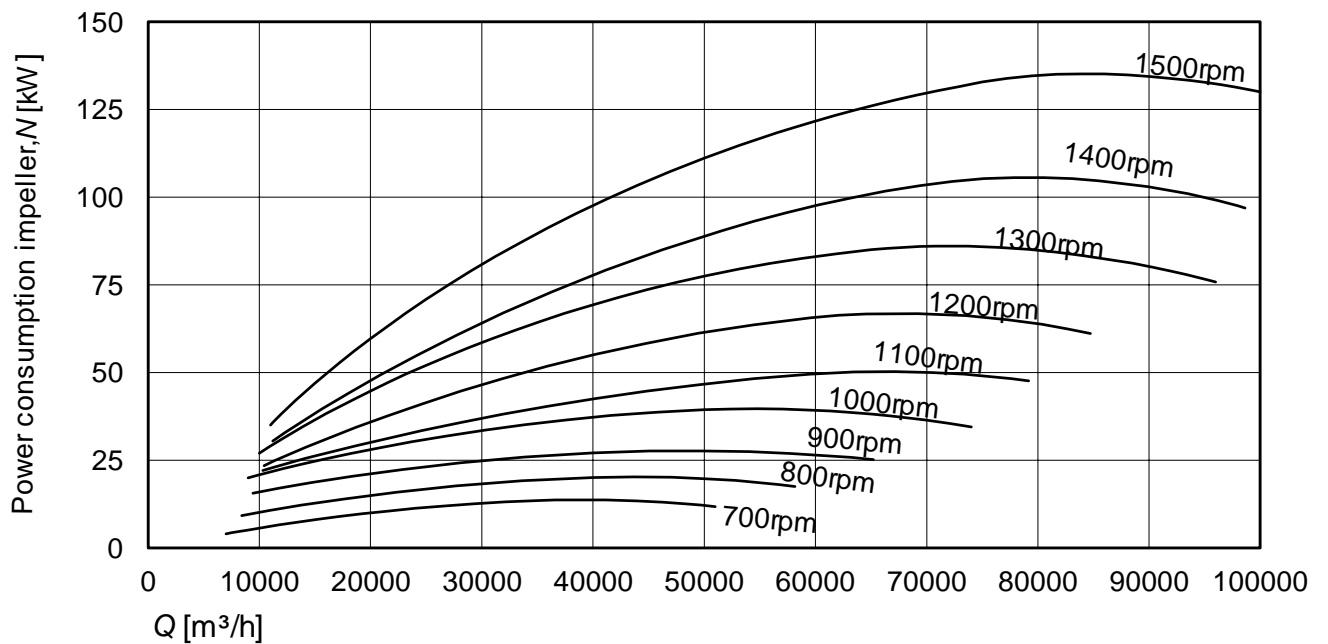
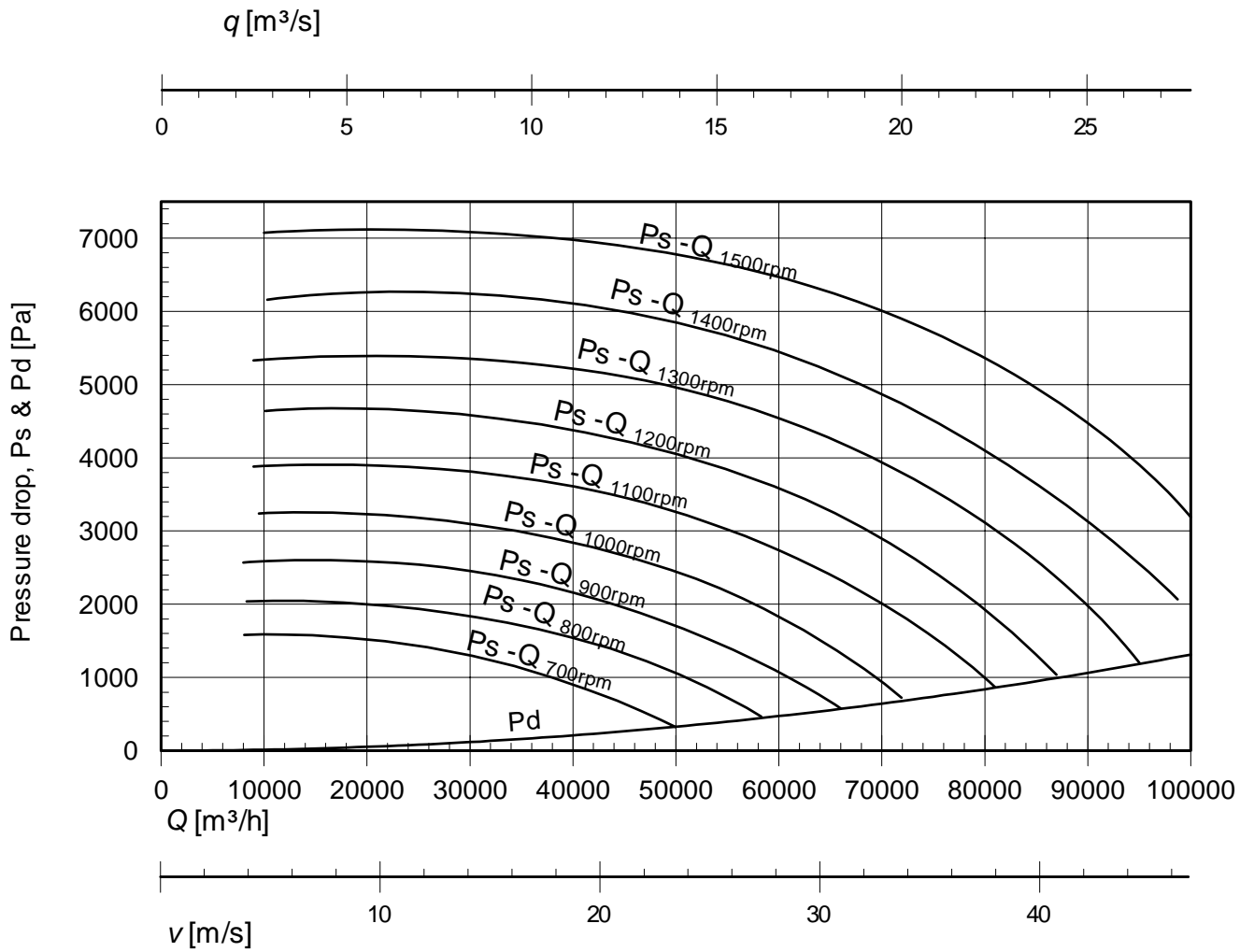
N-6230 SYKKYLVEN, NORWAY
TEL +47 70 25 40 80 - FAX +47 70 25 29 08
office@nyborgfan.com - www.nyborgfan.com

MSV 800 B



MEDIUM PRESS. CENTR. FAN PERFORMANCE DATA

MSV 900 B
Imp: B16x1350x220



N Y B O R G A S

Nyborg12.prs/10

N-6230 SYKKYLVEN, NORWAY
TEL +47 70 25 40 80 - FAX +47 70 25 29 08
office@nyborgfan.com - www.nyborgfan.com

MSV 900 B