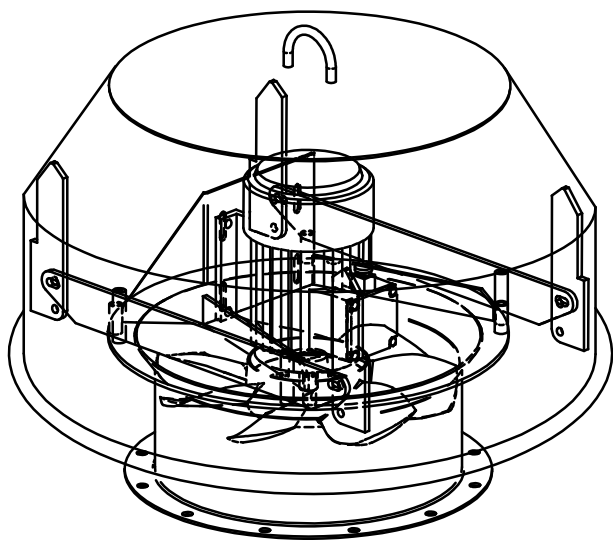


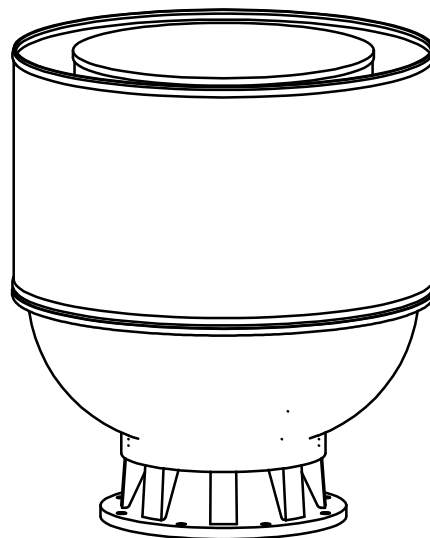


FANS FOR DUCT-TOP MOUNTING

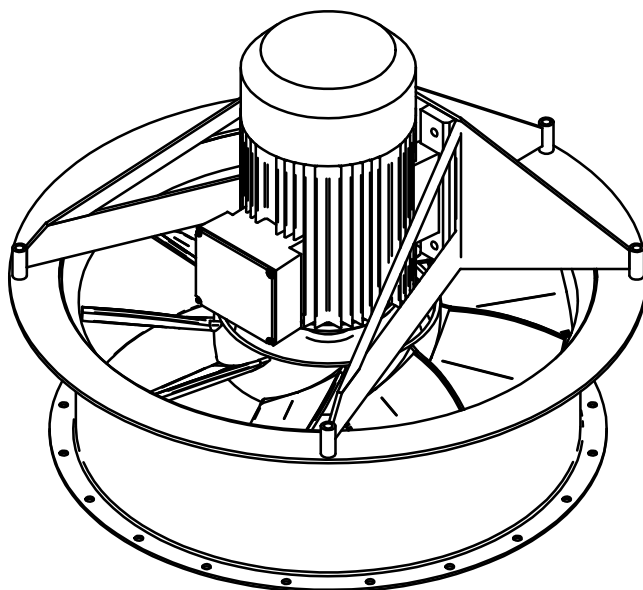
PTV - R



SKV - B



MPV - A1E

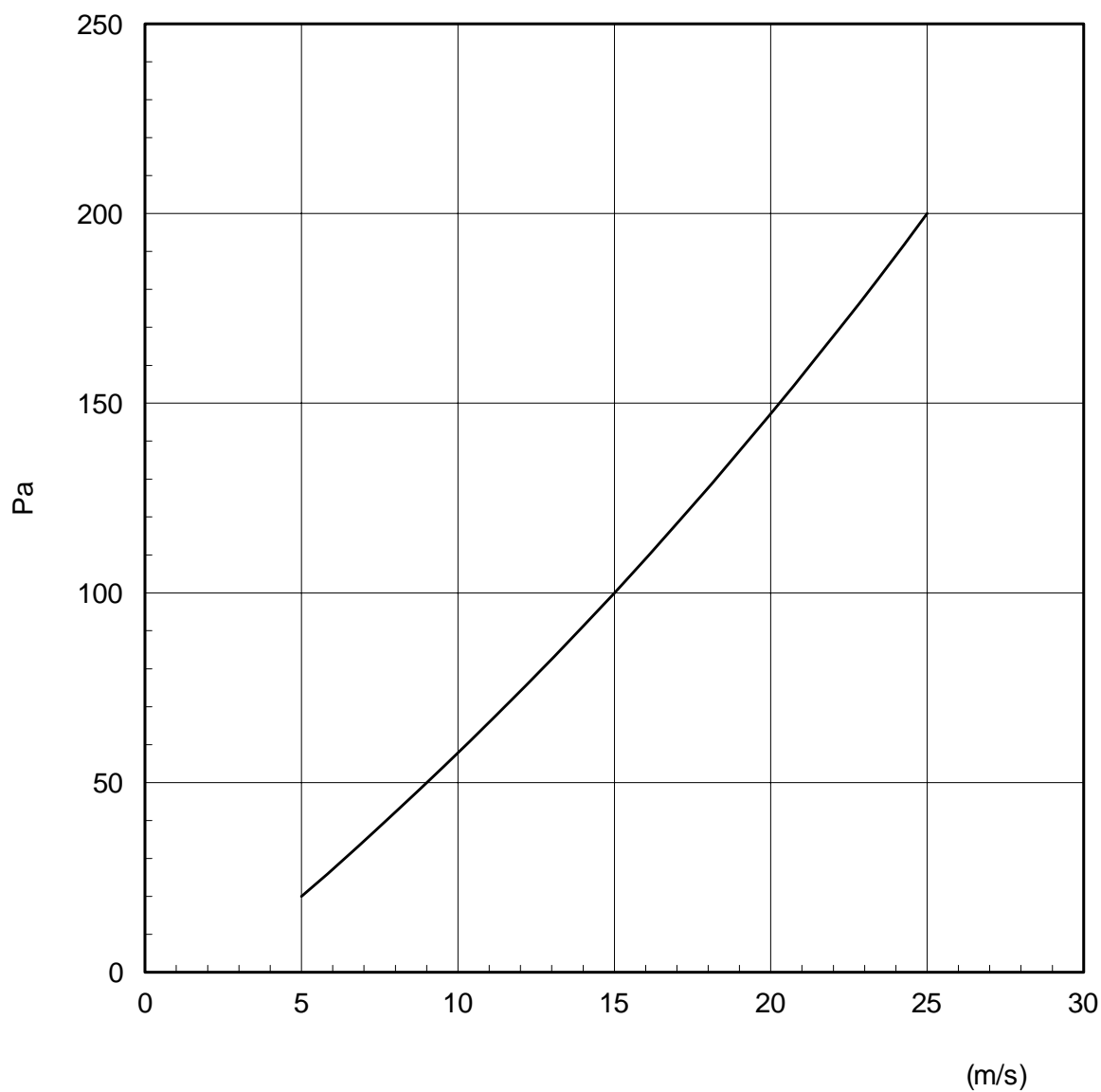


N Y B O R G A S

N-6230 SYKKYLVEN, NORWAY
TEL +47 70 25 40 80 - FAX +47 70 25 29 08
office@nyborgfan.com - www.nyborgfan.com



PRESSUREDROP IN COWLS PTV-PPV



N Y B O R G A S

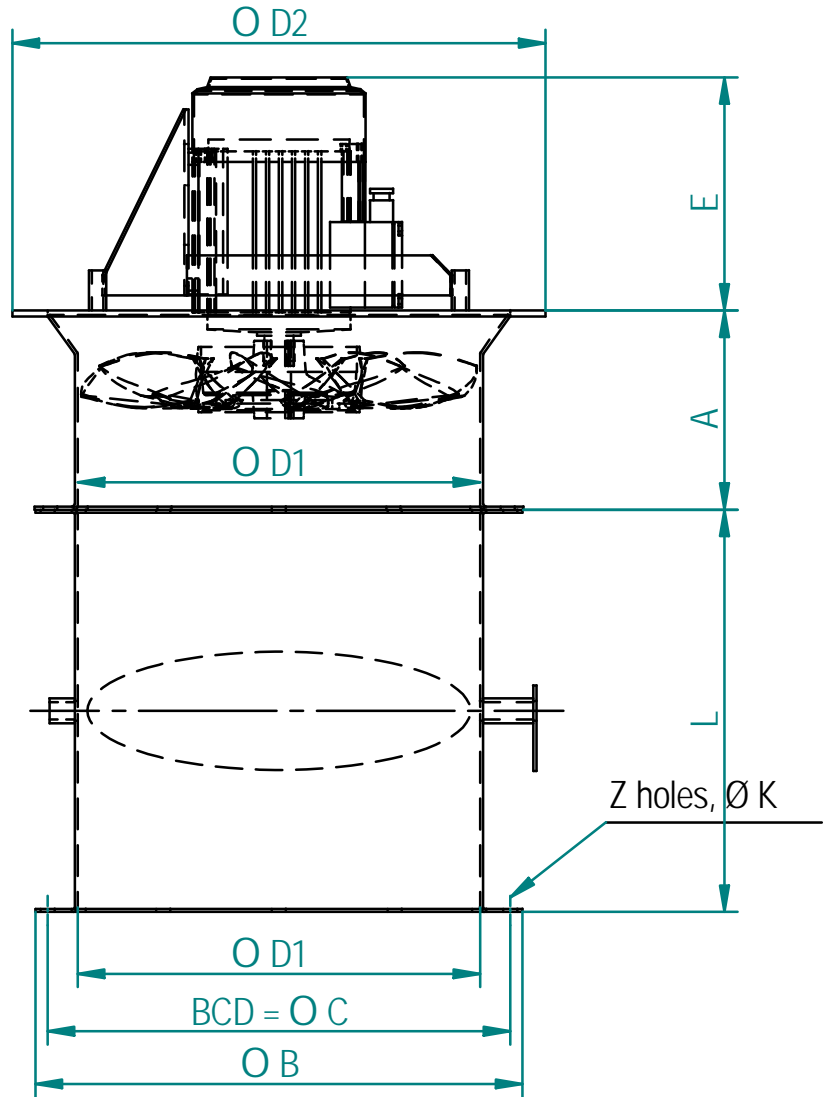
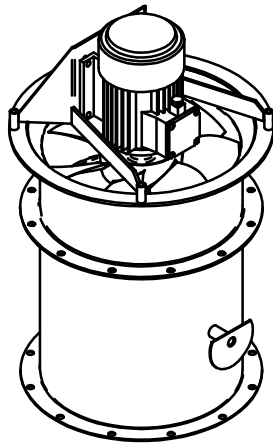
nyborg18.prs-4

N-6230 SYKKYLVEN, NORWAY
TEL +47 70 25 40 80 - FAX +47 70 25 29 08
office@nyborgfan.com - www.nyborgfan.com



NYBORG AXIAL FAN
 c/w with Wire Guard and Shut-Off Damper
 All Hot Dipped Galvanized

**MPV -
 A1E/LSS**



MPV	A	B	C	Ø D1	Ø D2	E	L	F/ T1	Z x K	Weight
315	194	384	360	315	430		315	3	8x14	
355	195	434	405	355	485		355	3	8x14	
400	198	484	460	400	530		400	3	12x14	
450	215	534	510	450	595		450	3	12x14	
500	250	584	560	500	660		500	3	12x14	
630	260	706	698	630	820		630	4	16x14	
710	320	806	775	710	900		710	4	16x14	
800	320	906	870	800	990		800	4	16x19	
900	320	1028	980	900	1110		900	5	16x19	
1000	400	1128	1080	1000	1275		1000	5	20x19	

4-2223

N Y B O R G A S

R.Berge
 13/12-02

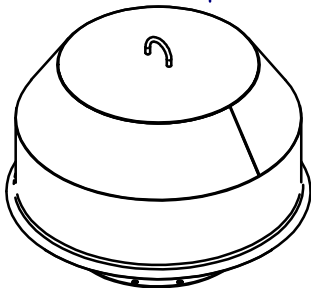
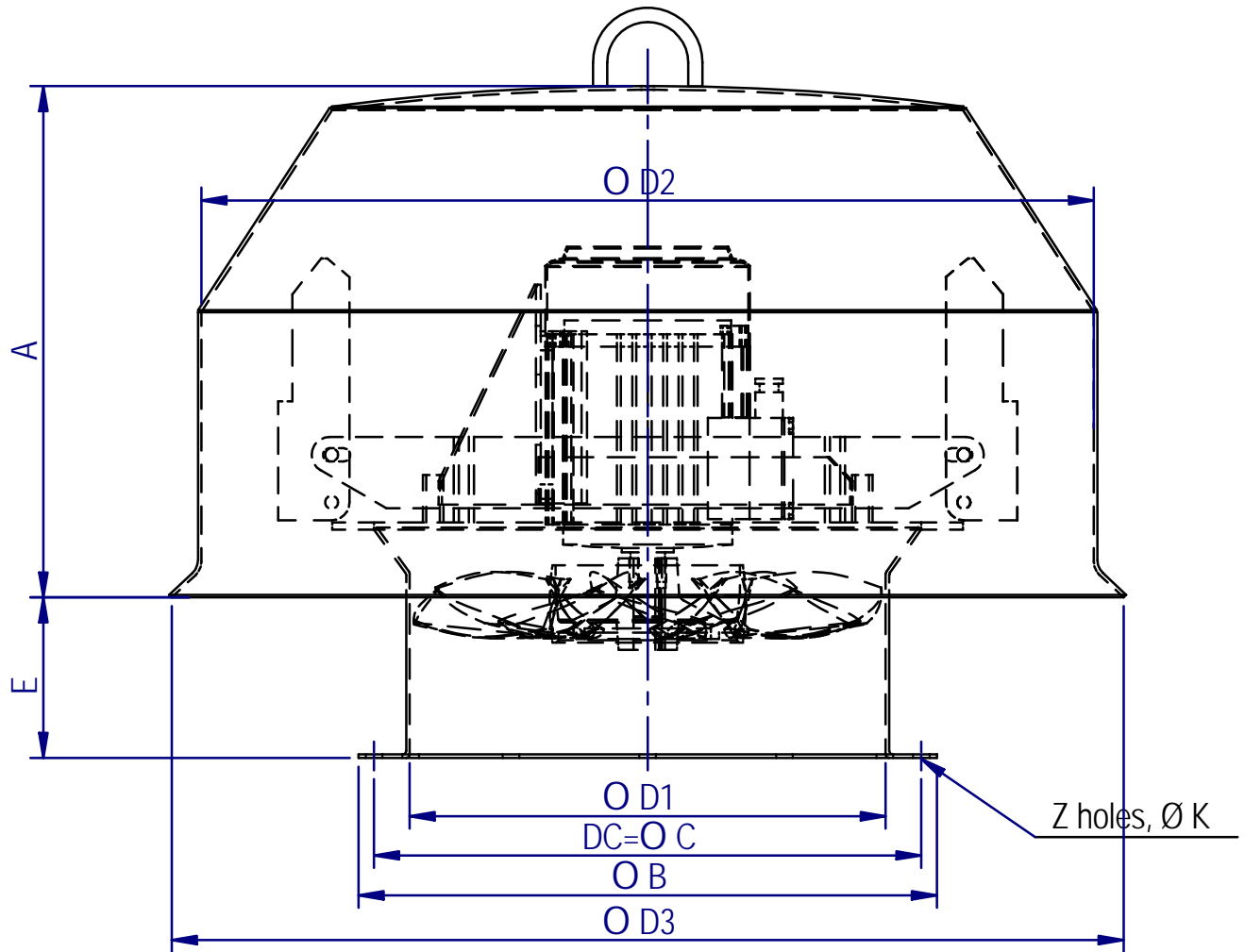
N-6230 SYKKYLVEN, NORWAY
 TEL +47 70 25 40 80 - FAX +47 70 25 29 08
 office@nyborgfan.com - www.nyborgfan.com

**MPV -
 A1E/LSS**



NYBORG AXIAL FAN
For Duct-Top Installation c/w Hood
All Hot-Dipped Galvanized

PTV - A1RO



PTV	A	B	C	Ø D1	Ø D2	Ø D3	E	F/ T1	T2	Z x K	Weight fan (kg)
250	305	334	310	250	650	700	162	3	2	8x12	38
315	305	400	360	315	650	700	154	3	2	8x14	41
355	305	440	405	355	650	700	155	3	2	8x14	44
400	470	484	460	400	900	960	150	3	3	12x14	72
450	470	534	510	450	900	960	167	3	3	12x14	77
500	470	584	560	500	900	960	202	3	3	12x14	84
630	550	736	698	630	1300	1380	185	4	3	16x14	145
710	550	816	775	710	1300	1380	245	4	3	16x14	165
800	650	906	870	800	1650	1740	340	4	4	16x19	280
900	650	1028	980	900	1650	1740	340	5	4	16x19	305
1000	870	1128	1080	1000	1850	1940	245	5	4	20x19	

4-2221

N Y B O R G A S

R.Berge

N-6230 SYKKYLVEN, NORWAY
TEL +47 70 25 40 80 - FAX +47 70 25 29 08
office@nyborgfan.com - www.nyborgfan.com

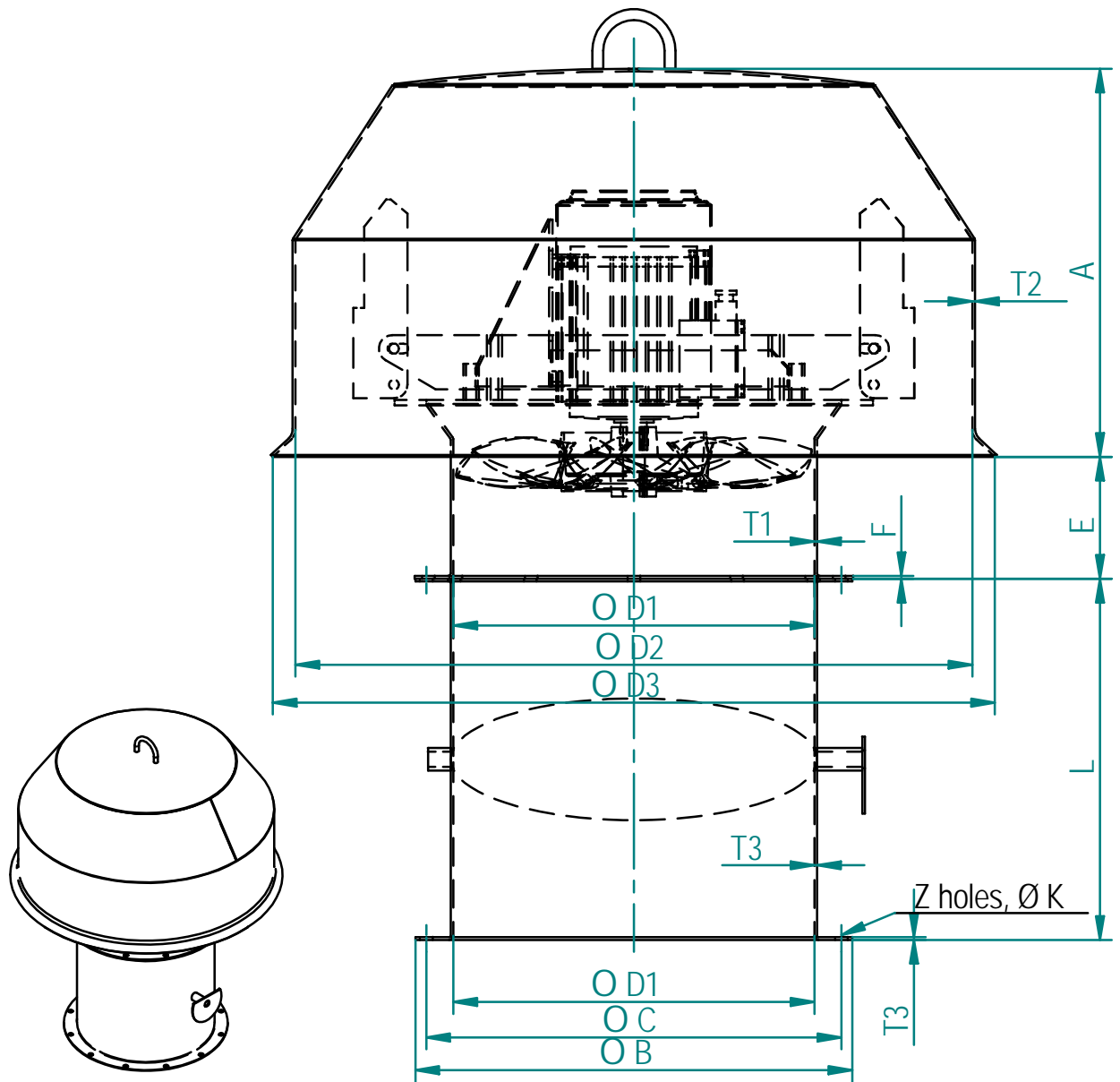
13/12-02

PTV - A1RO



NYBORG AXIAL FAN
 For Duct-Top installation c/w Hood and Shut-Off Damper
 All Hot Dipped Galvanized

PTV - A1RO/LSS



MPV	A	B	C	Ø D1	Ø D2	Ø D3	E	L	F/T1	T2	T3	Z x K	Weight
250	305	334	310	250	650	700	162	250	3	2	3	8x12	
315	305	400	360	315	650	700	154	315	3	2	3	8x14	
355	305	440	405	355	650	700	155	355	3	2	3	8x14	
400	470	484	460	400	900	960	150	400	3	3	3	12x14	
450	470	534	510	450	900	960	167	450	3	3	3	12x14	
500	470	584	560	500	900	960	202	500	3	3	3	12x14	
630	50	706	698	630	1300	1380	185	630	4	3	4	16x14	
710	550	816	775	710	1300	1380	245	710	4	3	4	16x14	
800	650	906	870	800	1650	1740	340	800	4	4	4	16x19	
900	650	1028	980	900	1650	1740	340	900	5	4	5	16x19	
1000	750	1120	1080	1000	1850	1940	245	1000	5	4	5	20x19	

4-2222

N Y B O R G A S

R.Berge

N-6230 SYKKYLVEN, NORWAY
 TEL +47 70 25 40 80 - FAX +47 70 25 29 08
 office@nyborgfan.com - www.nyborgfan.com

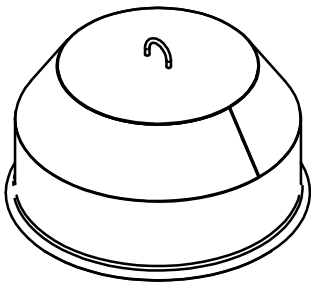
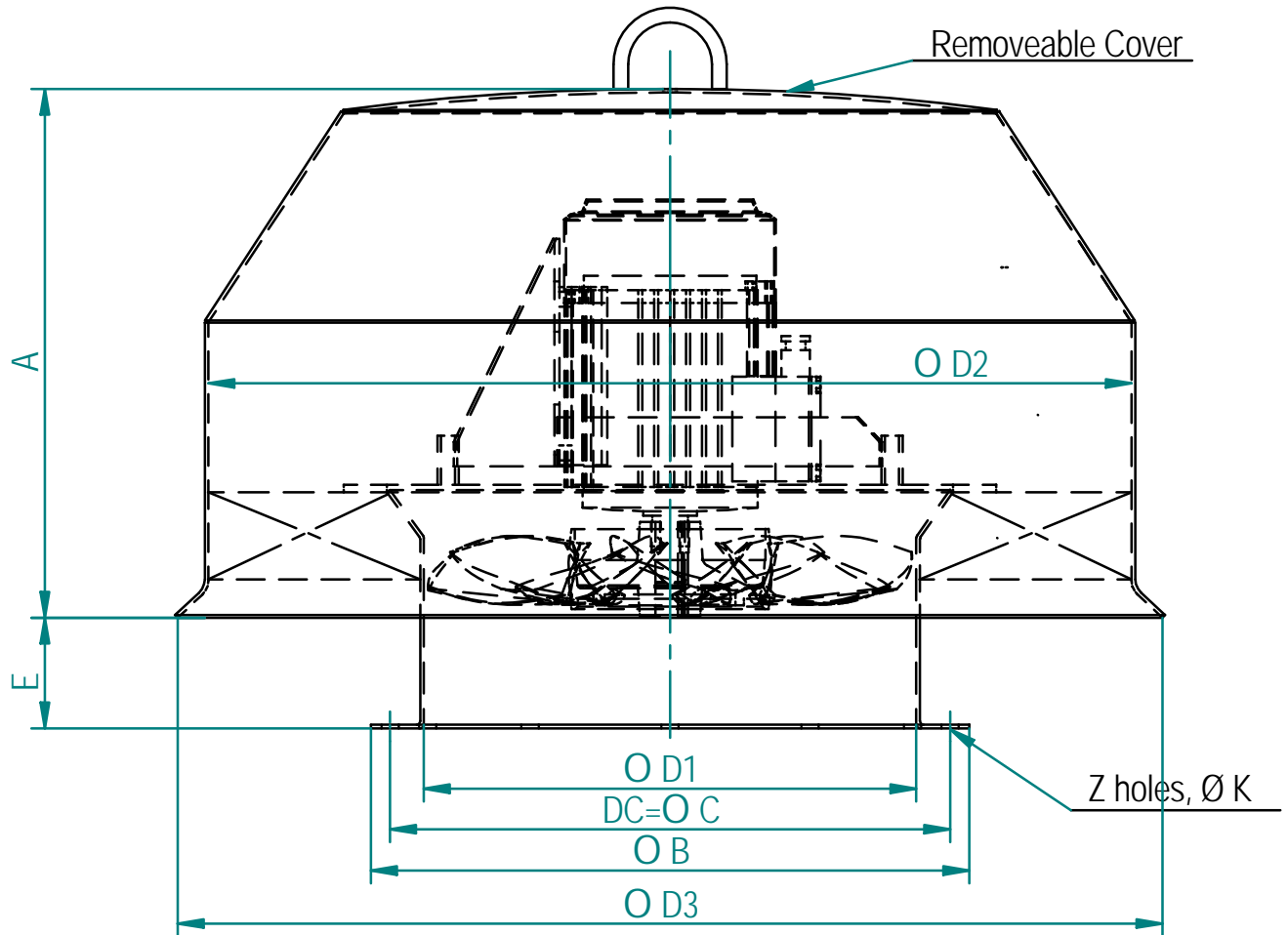
12/12-02

PTV - A1RO/LSS



NYBORG AXIAL FAN
For Duct-Top Installation c/w Hood
All Hot-Dipped Galvanized

PTV - A1RF



Size	A	B	C	Ø D1	Ø D2	Ø D3	E	F/ T1	T2	Z x K	Weight
1000	830	1128	1080	1000	1800	1900	200	5	4	20xØ19	
1120	830	1248	1200	1120	2000	2100	200	5	4	20xØ19	
1250	950	1380	1320	1250	2200	2300	250	6	5	24xØ14	

4-2242

N Y B O R G A S

R.Berge
13/12-02

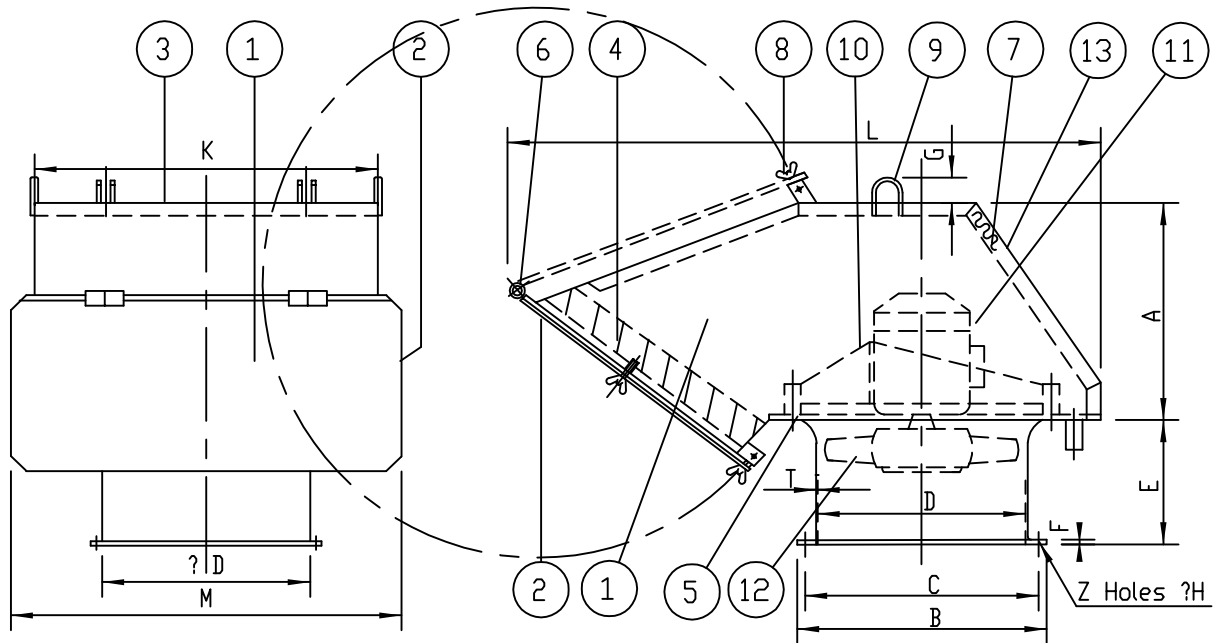
N-6230 SYKKYLVEN, NORWAY
TEL +47 70 25 40 80 - FAX +47 70 25 29 08
office@nyborgfan.com - www.nyborgfan.com

PTV - A1RF



AXIAL FLOW FAN

PTV-A1F
LG/D



- | | |
|--|--|
| <ul style="list-style-type: none"> ① FAN COWL. Matl.:
All Welded Steel Plates. ② COVER PLATE,
Weather Proof in Closed Position. ③ TOP COVER. ④ JEALOUSY. ⑤ WIRE MESH GUARD,
or Spark Catcher Wire Mesh Guard ⑥ HINGES. Matl.: Non-Corrosive. | <ul style="list-style-type: none"> ⑦ SOUND INSULATION. Matl.:
Mineral Fibre. ⑧ SCREW JOINT. Matl.:
Non-Corrosive. ⑨ LIFTING HOOKS. ⑩ MOTOR BRACKET. ⑪ MOTOR. ⑫ IMPELLER. ⑬ COVER. |
|--|--|

SIZE NO	A	B	C	D	E	F	G	K	L	M	T1	Z	H
260													
300	333	387	360	300	164	8		430	710	486	3	8	14
350	353	437	405	350	200	8		470	745	526	3	8	14
400	403	488	460	400	200	8		480	800	546	3	12	14
450													
500	438	589	560	500	254	8		640	890	698	3	12	14
550	450	660	630	550	250	10		690	1150	746	4	16	14
630	640	740	698	630	293	10	50	820	1520	878	4	16	14
700	704	810	775	700	296	10	50	900	1600	968	4	16	14

15/08-94

R.Berge

ptv-a1flgd-m

N Y B O R G A S

N-6230 SYKKYLVEN - NORWAY

Tel: +47 70 25 40 80 - Fax +47 70 25 29 08

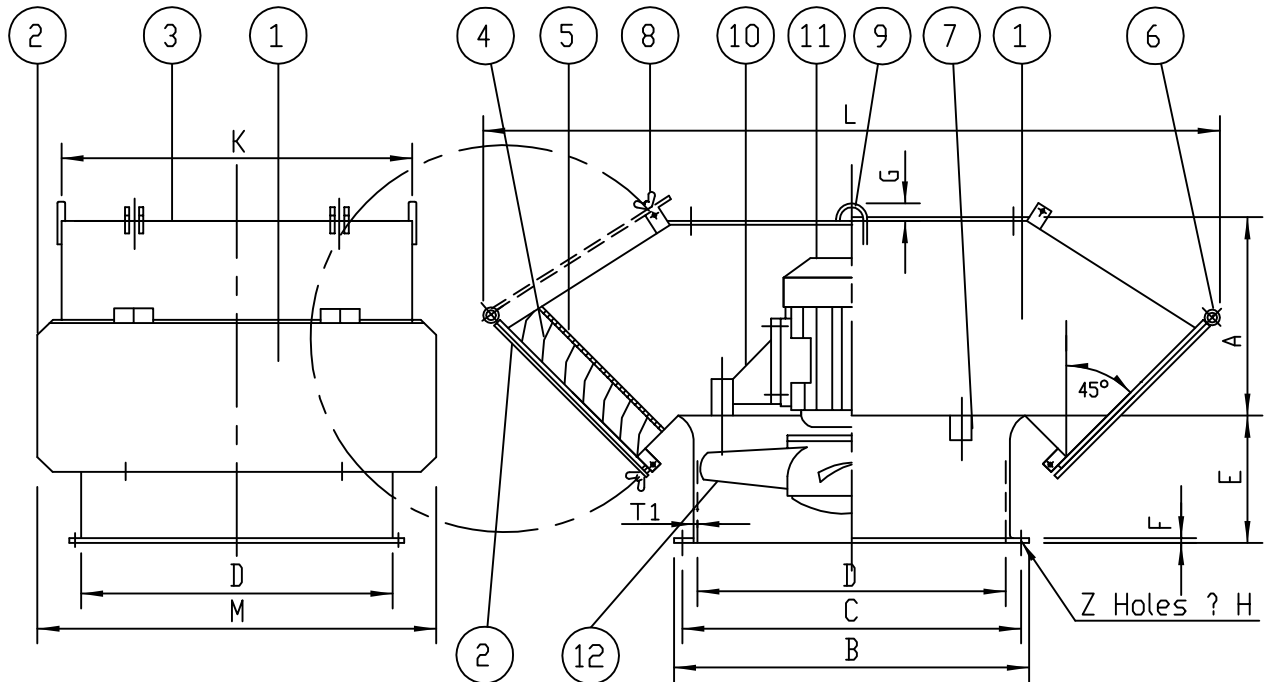
E-MAIL: office@nyborgfan.com - WEB: www.nyborgfan.com

PTV-A1F
LG/D



AXIAL FLOW FAN

PTV-A12F
GS/D



- ① FAN COWL. Matl.: All-Welded Steel Plates.
- ② COVER PLATE, Weather Proof in Closed Position.
- ③ TOP COVER.
- ④ JEALOUSY.
- ⑤ WIRE MESH GUARD, or Spark Catcher Wire Mesh Guard.
- ⑥ HINGES. Matl.: Non-Corrosive.
- ⑦ CABLE ENTRY, With Packing Nibble.
- ⑧ SCREW JOINT. Matl.: Non-Corrosive.
- ⑨ LIFTING HOOKS.
- ⑩ MOTOR BRACKET.
- ⑪ MOTOR.
- ⑫ IMPELLER.

SIZE NO	A	B	C	D	E	F	G	K	L	M	T1	Z	H
630	640	740	698	630	293	10	50	828		828	4	16	14
700	508	810	775	700	307	10	50	720		800	4	16	14
800	530	912	870	800	320	10	50	900	1850	970	4	16	19
900	600	1008	980	900	320	10	90	1000	2000	1070	5	16	19
1000		1108	1080	1000	410	10	90	1400		1490	5	20	19

25/02-93

R.Berge

PTV12FGS-M

N Y B O R G A S

N-6230 SYKKYLVEN - NORWAY

Tel: +47 70 25 40 80 - Fax +47 70 25 29 08

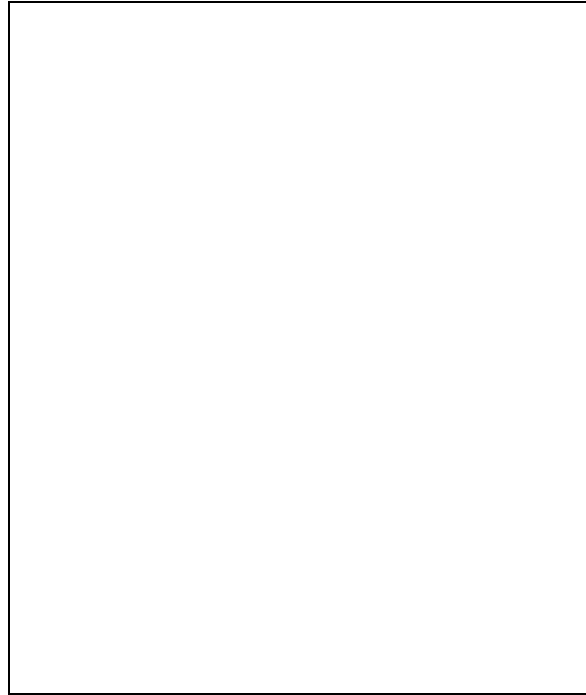
E-MAIL: office@nyborgfan.com - WEB: www.nyborgfan.com

PTV-A12F
GS/D

NYBORG VERTICAL DISCHARGE CENTRIFUGAL FAN

TYPE
SKV – B10

FOR DUCT-TOP INSTALLATION



GENERAL

NYBORG "SKV" fan is designed primarily for use onboard ships, and is available in 8 different sizes. The fan has a great area of application, as examples we can mention extraction from galleys, mess room, cabins, lavatories, washroom, crab-and prawn boilers, etc.

The air stream is straightened upwards, and if any overflow water occur, the fan is supplied with drain gap.

MATERIALS

Both impeller and fan casing are made of salt-and ammonia resistive aluminium alloy, and all bolts and nuts used in the construction are non-corrosive steel.

MOTOR

The fan is delivered with a totally enclosed standard motor in compliance with the requirements of the classification societies. The motor is also protected from the air steam with the help of a special motor cowl. This is important if the air stream contents corrosive fumes or water steam.

EQUIPMENT

As standard the fan is delivered with a top-mounted wire mesh guard (Aisi316 execution).

ACCESSORIES

- Countra flange

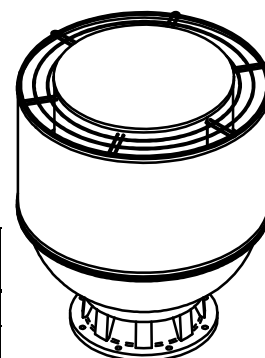
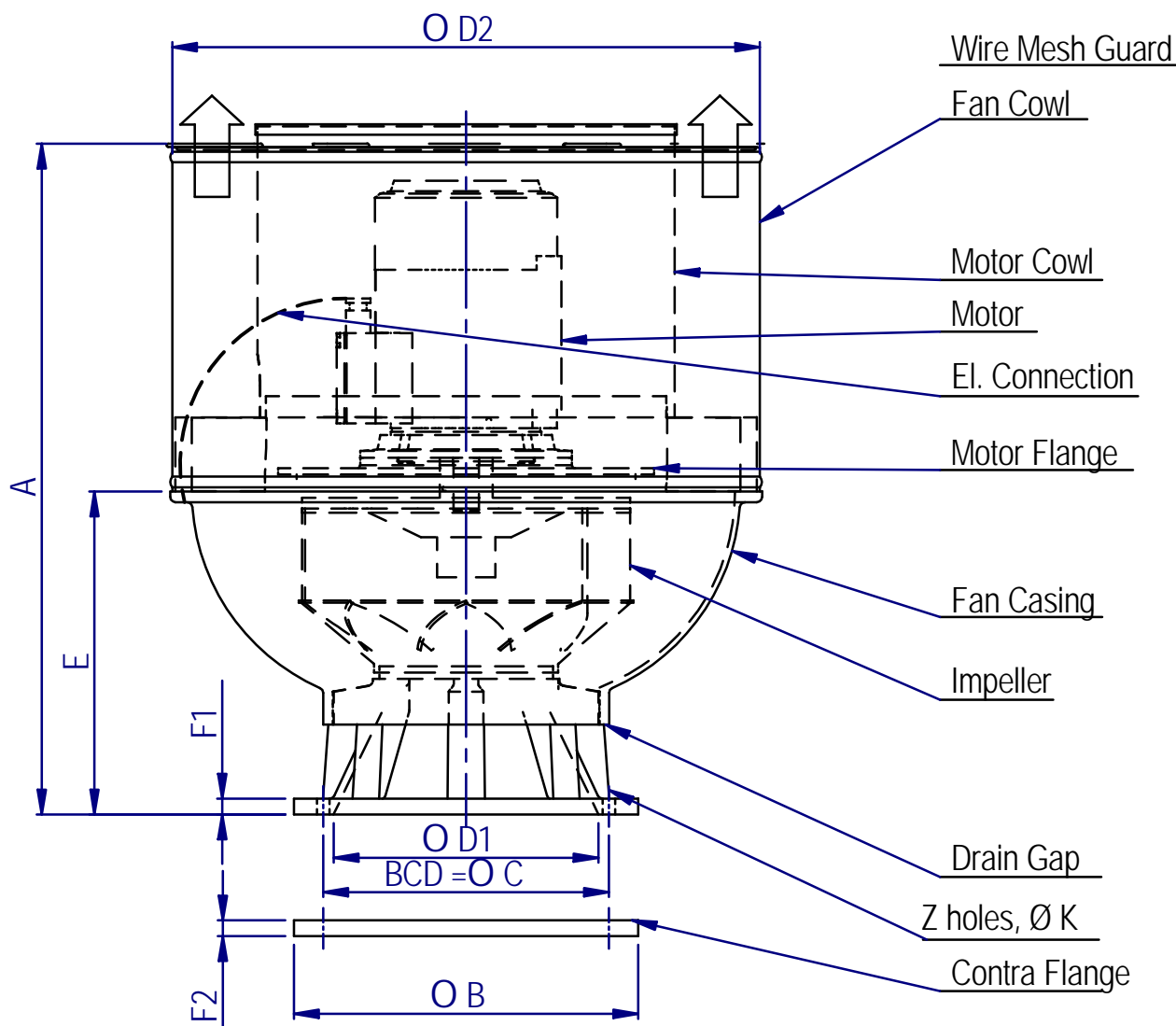
N Y B O R G A S

N-6230 SYKKYLVEN, NORWAY
TEL +47 70 25 40 80 - FAX +47 70 25 29 08
office@nyborgfan.com - www.nyborgfan.com



NYBORG VERTICAL DISCHARGE CENTRIFUGAL FAN

SKV - B10



SKV	A	B	C	D1	D2	E	F1	F2	T	Z x K	Weight fan [kg]
125	440	200	170	125	372	230	10	6	2	4x11	9
150	540	210	185	150	455	210	12	6	2	4x11	11,5
200	575	265	240	200	515	245	12	6	2,5	6x11	25
250	630	325	292	250	570	305	15	6	2,5	8x12	36
300	580	387	360	300	650	265	15	8	2,5	8x14	45
350	610	437	410	350	720	290	15	8	3	8x14	55
400	660	488	460	400	770	275	17	8	3	8x14	
450	705	550	510	450	825	210	17	10	4	12x14	

4-2143

N Y B O R G A S

R.Berge
16/12-02

N-6230 SYKKYLVEN, NORWAY
TEL +47 70 25 40 80 - FAX +47 70 25 29 08
office@nyborgfan.com - www.nyborgfan.com

SKV - B10



SELECTION TABLE F.AIR VOLUMES

SKV – B10

SKV Size	rpm	Air Volumes (m ³ /h) by Static Pressure (Pa)											Motor 50Hz kW
		0	100 Pa	200 Pa	300 Pa	400 Pa	500 Pa	600 Pa	700 Pa	800 Pa	900 Pa	1000 Pa	
125 B	2800	430	350	280	210	120							0.18
125 F	1400	430	315	210									0.18
	2800	835	765	725	700	680	645	610					0.55
150 B	2800	680	650	595	525	390							0.37
150 F	900	460	240										0.18
	1400	700	630	535	380								0.25
200 B	2800	1190	1120	985	890	815	745	680	580				0.37
200 F	900	650	430										0.18
	1400	1040	815	700	630	460							0.25
250 B	2800	2460	2300	2160	2000	1830	1680	1480	1260	1115			1.1
250 F	900	1050	765	470									0.18
	1400	1680	1490	1230	1070	920	750						0.37
300 B	900	2140	1770	370									0.25
	1400	2900	2750	2450	1680								0.37
	2800	5950	5800	5720	5650	5500	5350	5200	5050	4900	4600	4280	2.2
350 B	700	2540	1920										0.25
	900	3200	2750	2150									0.37
	1400	4600	4280	3980	3360	2150							0.55
400 B	700	3670	3050	1830									0.37
	900	4600	4280	3670	2350								0.55
	1400	7350	7040	6430	5800	5200	4600						1.1
450 B	700	5350	3980	2050									0.55
	900	6730	6100	4850	2550								0.75
	1400	10100	9800	9200	8550	7950	7030	6100	5200				2.2
	rpm	0	140 Pa	290 Pa	430 Pa	580 Pa	720 Pa	860 Pa	1000 Pa	1150 Pa	1300 Pa	1440 Pa	60 Hz
125 B	3400	515	420	335	250	145							0.3
125 F	1700	515	380	275									0.3
	3400	1000	915	870	840	815	770	730					0.9
150 B	3400	815	780	715	630	460							0.66
150 F	1100	550	290										0.3
	1700	840	750	640	450								0.45
200 B	3400	1420	1340	1180	1060	970	890	810	700				0.66
200 F	1100	780	510										0.3
	1700	1250	980	840	750	550							0.45
250 B	3400	2950	2750	2600	2400	2200	2020	1780	1500	1330			1.8
250 F	1100	1260	920	560									0.3
	1700	2000	1780	1470	1280	1100	900						0.66
300 B	1100	2560	2120	440									0.45
	1700	3480	3300	2940	2010								0.66
350 B	850	3050	2300										0.45
	1100	3840	3300	2580									0.66
	1700	5500	5130	4750	4030	2580							0.9
400 B	850	4400	3660	2200									0.66
	1100	5500	5130	4400	2850								0.9
	1700	8820	8450	7700	6950	6240	5500						1.8
450 B	850	6400	4770	2460									0.9
	1100	8070	7320	5800	3050								1.3
	1700	12100	11750	11000	10250	9540	8430	7320	6240				3.6

N Y B O R G A S

N-6230 SYKKYLVEN, NORWAY
 TEL +47 70 25 40 80 - FAX +47 70 25 29 08
 office@nyborgfan.com - www.nyborgfan.com